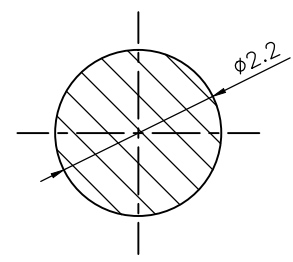
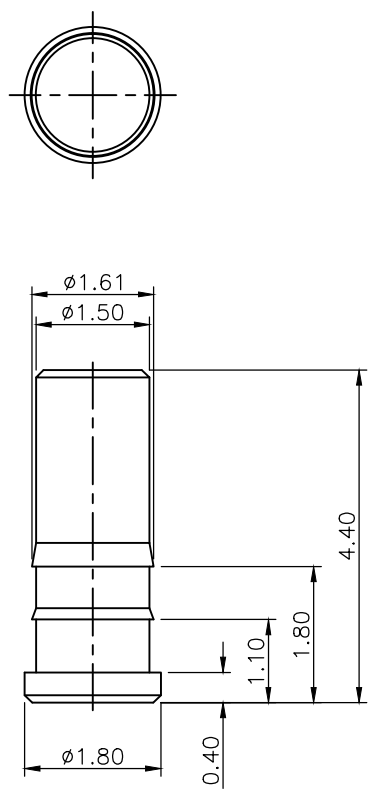


REV.	DESCRIPTION	DRAWN	DATE
1	INITIAL RELEASE	TIM	2020/05/05



**Recommended Layout**  
**General Tolerance:  $\pm 0.05\text{mm}$**

1	Machine Pin	Brass, 10u" gold plating under nickel over all		
NO.	PART NAME	DESCRIPTION		
UNLESS OTHERWISE SPECIFIED TOLERANCE				
UNIT:	DECIMAL	LINEAR	ANGLES	
mm	X.	$\pm 0.50$	$\pm 5^\circ$	
	X.X	$\pm 0.25$	$\pm 3^\circ$	
	X.XX	$\pm 0.12$	$\pm 1^\circ$	
www.attend.com.tw				
DRAWN	Tim	2020/05/05	DRAWN NAME:	
CHECKED	Fros	2020/05/05	Machine Pin, Single pin H= 4.4mm, 10u"	
APPROVED	Ken	2020/05/05	PRODUCT NO.	303A-C4418-000
	SCALE	SHEET	SIZE	FILE NAME
	10/1	1/1	A4	303A-C4418-000_B_1