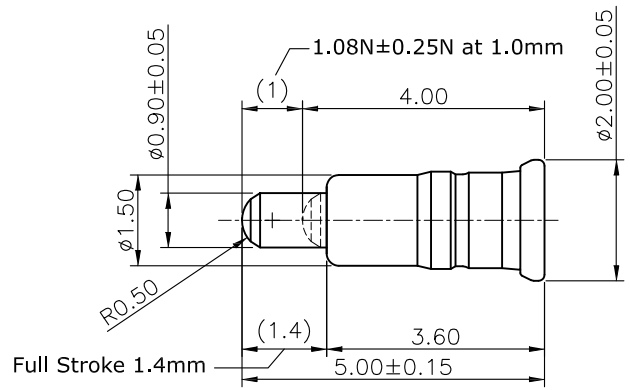
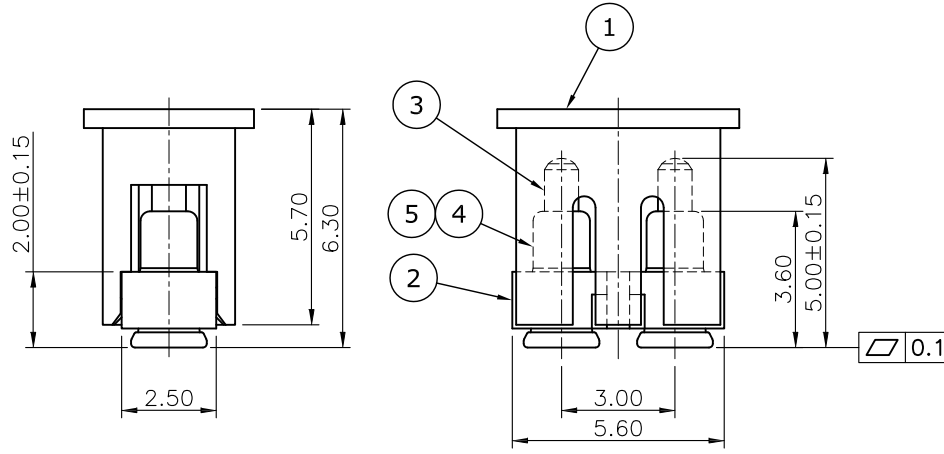
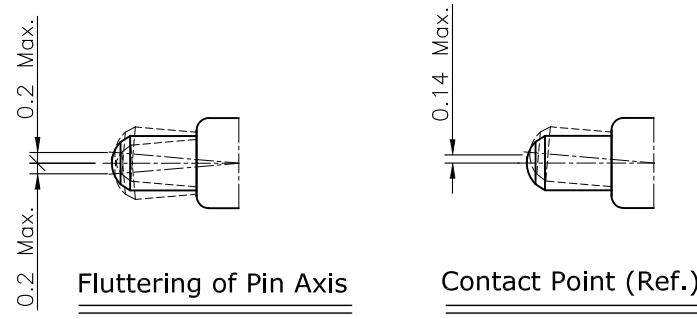
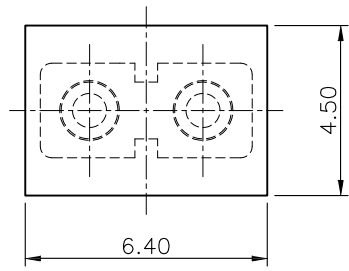
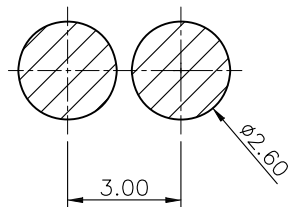


REV.	DESCRIPTION	DRAWN	DATE
1	INITIAL RELEASE	FROS	2016/03/30
2	Corrected Plating	FROS	2016/05/10



Scale 8/1



**RECOMMENDED LAYOUT**  
**GENERAL TOLERANCE: ±0.05**

5	Spring	SWP, 2u" Gold\ 2u" Nickel Plating
4	Tube	C2700, 2u" Gold\ 80u" Nickel Plating
3	Pin	C2700, 40u" Gold\ 120u" Nickel Plating
2	HOUSING	PA6T+30%G/F, UL94V-0, Black
1	Cap	Nylon 46, UL94V-0, Black

NO.		PART NAME	DESCRIPTION
UNLESS OTHERWISE SPECIFIED TOLERANCE			
UNIT:	DECIMAL	LINEAR	ANGLES
	mm	X, ±0.50	±5°
		X.X ±0.25	±3°
		X.XX ±0.12	±1°
DRAWN		Fros	2016/03/03
CHECKED		Amy	2016/03/03
APPROVED		Ken	2016/03/03
SCALE		5/1	SHEET 1/1
SIZE		A4	FILE NAME
DRAWN NAME:		Pogo Pin 2 Pin Type, H5.0 Stroke 1.4 Barrel 2.0 Pitch 3.0, w/Cap, 40u"	
PRODUCT NO.		303B-361420-30-000	
FILE NAME		303B-361420-30-000_B_2	