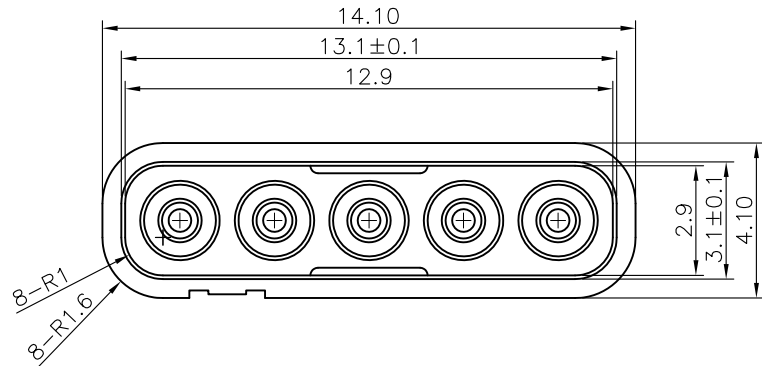
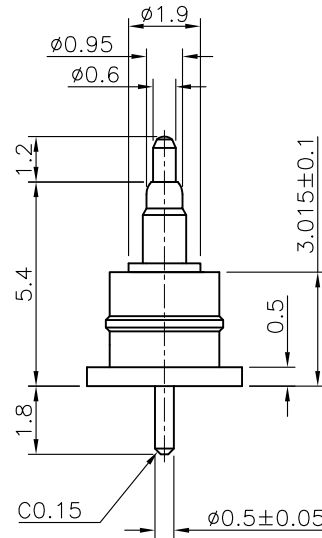
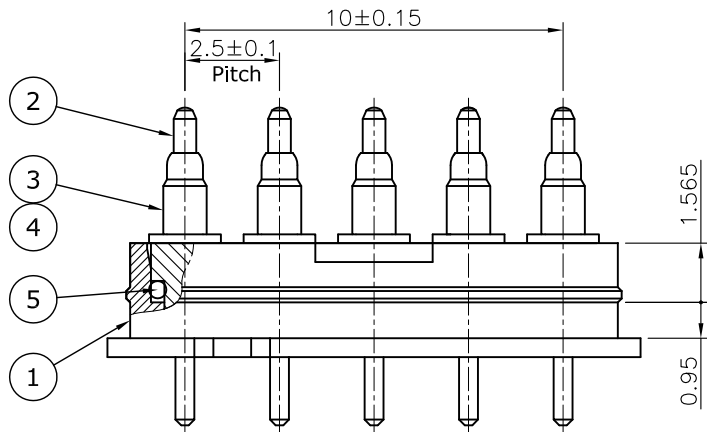


REV.	DESCRIPTION	DRAWN	DATE
1	INITIAL RELEASE	FROS	2016/03/30
2	Add section view	FROS	2019/05/20

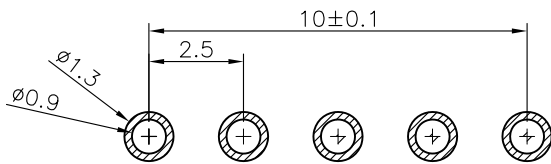
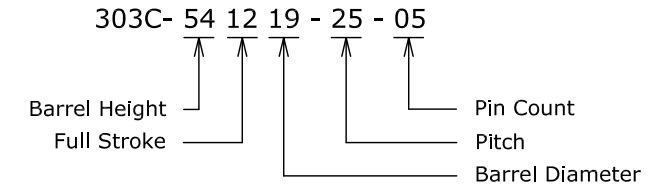


**SPECIFICATION:**

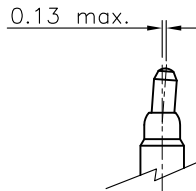
1. ELECTRICAL
  - 1.1 Current Rating: 2A per pin
  - 1.2 Voltage Rating: 12V AC/DC
  - 1.3 Contact Resistance: 50mΩ
  - 1.4 Insulation Resistance: 100MΩ
  - 1.5 Dielectric Withstanding Voltage: 500VAC
2. MECHANICAL
  - 2.1 Pin Force: 1.0N±0.25N at 0.9mm Stroke
  - 2.2 Durability: 20,000 Cycles
3. ENVIRONMENTAL
  - 3.1 Operating temperature range: -40°C~+85°C
  - 3.2 Storage temperature range: -40°C~+85°C
  - 3.3 Waterproof Level: IPX7
4. SOLDER ABILITY
  - 4.1 Peak Temperature: 250°C, 10 sec



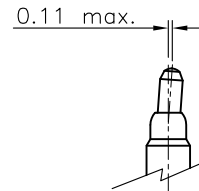
**How to Order**



**Recommended Layout**  
**General Tolerance: ±0.05mm**



**Fluttering of Pin Axis**



**Contact Point**

5	O-Ring	Silicone Rubber
4	Spring	Stainless Steel
3	Barrel	Brass, 2u" Gold/ 80u" Nickel Plating
2	Pin	Brass, 40u" Gold/ 120u" Nickel Plating
1	Housing	PPA 30%GF, UL94HB, Black
NO. PART NAME		DESCRIPTION

UNLESS OTHERWISE SPECIFIED TOLERANCE					
UNIT:	DECIMAL	LINEAR			ANGLES
mm	X.	±0.50	±5°	<a href="http://WWW.ATTEND.COM.TW">WWW.ATTEND.COM.TW</a>	
	X.X	±0.25	±3°		
	X.XX	±0.12	±1°		
DRAWN	Fros	2016/03/30	DRAWN NAME:		
CHECKED	Amy	2016/03/30	Pogo Pin Water Proof Type, 5 Pin H6.6 Stroke-1.2 Pitch 2.5 Barrel 1.9, DIP w/o Cap, 40u"		
APPROVED	Ken	2016/03/30	PRODUCT NO.	303C-541219-25-05	
SCALE	5/1	SHEET	1/1	SIZE	A4
			FILE NAME	303C-541219-25-05_B_2	