

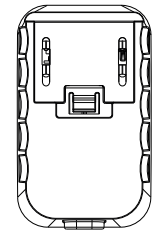
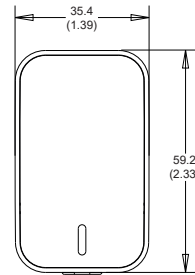
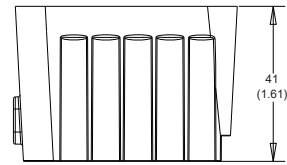
# Medical power supply: The heart of the application

Heart failure – one of the most feared medical incidents. If the heart fails, then so does everything else. The same is true of your application's power supply. If it fails, then the entire system is affected – with catastrophic consequences for medical technology.

That is why a reliable power supply partner is essential. We want to live up to that expectation. Since the invention of the first plug-in power supply unit in 1971, our customers have relied on our expertise – and we have manufactured far over a billion power supply units. Almost half a century's experience, and our German engineering skill, guarantee your application's power supply – and with it the patient's safety.

Our highly efficient plug-in power supply units have always set standards. From the lowest stand-by losses and minimal leakage current to the patented interchangeable AC plugs with IP42 protection; from the robust casing for the industry to the well thought-out design for sophisticated high-end usage – you are sure to find what you are looking for!

NEO006.0-I-X  
**FOX NEO6-XM**



Alle Abmessungen in Millimeter (Inch), Abweichung ± 0.5 (0.02)  
All Dimensions in Millimeter (Inch), Deviation ± 0.5 (0.02)



Voltage	Current	Ripple voltage
5 V	1400 mA	180 mV pp
12 V	600 mA	200 mV pp
24 V	300 mA	240 mV pp



Please use the **NEO configurator** to order your individual desired configuration:  
[friwo.link/neoconfigurator](https://friwo.link/neoconfigurator)

**Technical data**

Input voltage	100 – 240 V ± 10 %
Frequency	50 – 60 Hz
Input current	160 – 80 mA (FOX6-X)
Leakage current	≤ 10 µA
Output voltage tolerance	± 5 %
Turn-on delay	≤ 3 s
Stand-by	≤ 0.1 W
Efficiency	DoE: 10 CFR §430.32, energy efficiency level VI ErP: Commission Regulation (EU) 2019/1782
MTBF	200.000 h*

**Characteristics**

- + Efficiency level VI
- + Overload protection
- + Overvoltage protection
- + Continuously short circuit proof

**Environmental specifications**

Operating temperature	0 – 45° C
Humidity	10 – 95 %
Storage temperature	-40 – 70° C
Operating altitude	3000 m

**Labels / Certifications**



Further approvals possible after consultation

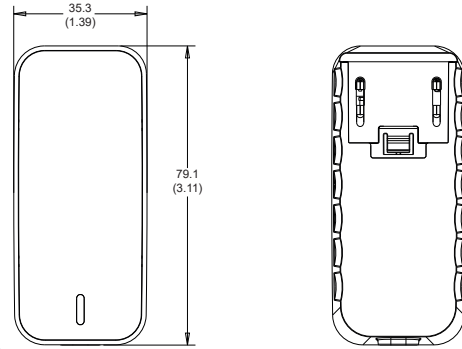
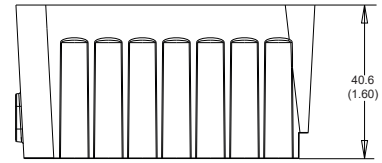
**Safety specifications**

Layout acc. to safety standard	IEC/ES 60601-1, IEC/UL 62368-1
Approvals	EU, USA, AUS, JPN, CN, RUS
Safety class	II
EMC	EN 60601-1-2:2015, EN 55032:2015, EN 55035:2017
Medical protection	2 x MOPP

**Mechanical data**

Dimensions	59.2 x 35.4 x 41.0 mm
Weight	62 g
Connectors	
AC input:	Interchangeable primary adapter system
DC output:	Secondary adapter system

NEO012.0-I-X  
**FOX NEO12-XM**



Alle Abmessungen in Millimeter (Inch), Abweichung ± 0,5 (0,02)  
All Dimensions in Millimeter (Inch), Deviation ± 0,5 (0,02)



Voltage	Current	Ripple voltage
5 V	2000 mA	150 mV pp
12 V	1000 mA	170 mV pp
24 V	500 mA	240 mV pp



Please use the **NEO configurator** to order your individual desired configuration:  
[friwo.link/neoconfigurator](http://friwo.link/neoconfigurator)

**Technical data**

Input voltage	100 – 240 V ± 10 %
Frequency	50 – 60 Hz
Input current	300 – 150 mA
Leakage current	≤ 10 µA
Output voltage tolerance	± 5 %
Turn-on delay	≤ 2 s
Stand-by	≤ 0.1 W
Efficiency	DoE: 10 CFR §430.32, energy efficiency level VI ErP: Commission Regulation (EU) 2019/1782
MTBF	200.000 h*

**Characteristics**

- + Efficiency level VI
- + Overload protection
- + Overvoltage protection
- + Continuously short circuit proof

**Environmental specifications**

Operating temperature	0 – 45° C
Humidity	10 – 95 %
Storage temperature	-40 – 70° C
Operating altitude	5000 m

**Labels / Certifications**



Further approvals possible after consultation

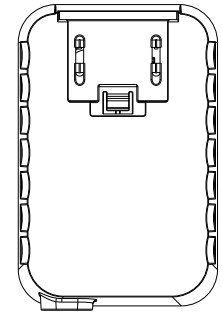
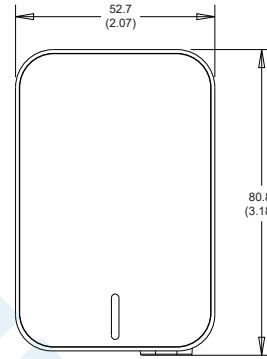
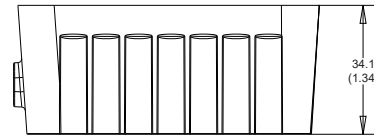
**Safety specifications**

Layout acc. to safety standard	IEC/ES 60601-1, IEC/UL 62368-1
Approvals	EU, USA, AUS, JPN, CN, RUS
Safety class	II
EMC	EN 60601-1-2:2015, EN 55032:2015, EN 55035:2017
Medical protection	2 x MOPP

**Mechanical data**

Dimensions	79.1 x 35.3 x 40.6 mm
Weight	86 g
Connectors	
AC input:	Interchangeable primary adapter system
DC output:	Secondary adapter system

NEO018.0-I-X  
**FOX NEO18-XM**



Alle Abmessungen in Millimeter (Inch), Abweichung ± 0,5 (0,02)  
All Dimensions in Millimeter (Inch), Deviation ± 0,5 (0,02)



Voltage	Current	Ripple voltage
5 V	3000 mA	150 mV pp
12 V	1500 mA	120 mV pp
24 V	750 mA	180 mV pp



Please use the **NEO configurator** to order your individual desired configuration:  
[friwo.link/neoconfigurator](https://friwo.link/neoconfigurator)

### Technical data

Input voltage	100 – 240 V ± 10 %
Frequency	50 – 60 Hz
Input current	400 – 200 mA
Leakage current	≤ 10 µA
Output voltage tolerance	± 5 %
Turn-on delay	≤ 1 s
Stand-by	≤ 0.1 W
Efficiency	DoE: 10 CFR §430.32, energy efficiency level VI ErP: Commission Regulation (EU) 2019/1782
MTBF	200.000 h*

### Characteristics

- + Efficiency level VI
- + Overload protection
- + Overvoltage protection
- + Continuously short circuit proof

### Environmental specifications

Operating temperature	0 – 50° C
Humidity	10 – 95 %
Storage temperature	-40 – 70° C
Operating altitude	5000 m

### Labels / Certifications



Further approvals possible after consultation

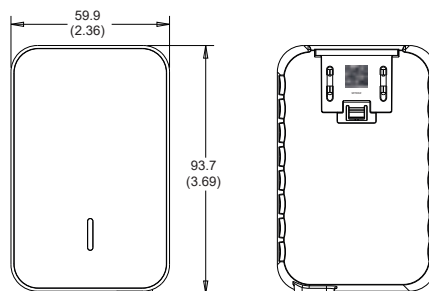
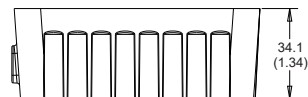
### Safety specifications

Layout acc. to safety standard	IEC/ES 60601-1, IEC/UL 62368-1
Approvals	EU, USA, AUS, JPN, CN, RUS
Safety class	II
EMC	EN 60601-1-2:2015, EN 55032:2015, EN 55035:2017
Medical protection	2 x MOPP

### Mechanical data

Dimensions	80.8 x 52.7 x 34.1 mm
Weight	105 g
Connectors	
AC input:	Interchangeable primary adapter system
DC output:	Secondary adapter system

NEO030.0-I-X  
**FOX NEO30-XM**



Alle Abmessungen in Millimeter (Inch), Abweichung ± 0.5 (0.02)  
All Dimensions in Millimeter (Inch), Deviation ± 0.5 (0.02)

Voltage	Current	Ripple voltage
5 V	5000 mA	150 mV pp
12 V	2500 mA	120 mV pp
24 V	1250 mA	200 mV pp



Please use the **NEO configurator** to order your individual desired configuration:  
[friwo.link/neoconfigurator](https://friwo.link/neoconfigurator)

### Technical data

Input voltage	100 – 240 V ± 10 %
Frequency	50 – 60 Hz
Input current	600 – 300 mA
Leakage current	≤ 10 µA
Output voltage tolerance	± 5 %
Turn-on delay	≤ 3 s
Stand-by	≤ 0.1 W
Efficiency	DoE: 10 CFR §430.32, energy efficiency level VI ErP: Commission Regulation (EU) 2019/1782
MTBF	200.000 h*

### Characteristics

- + Efficiency level VI
- + Overload protection
- + Overvoltage protection
- + Continuously short circuit proof

### Environmental specifications

Operating temperature	0 – 45° C (FOX30-X)
Humidity	10 – 95 %
Storage temperature	-40 – 70° C
Operating altitude	4000 m

### Labels / Certifications



Further approvals possible after consultation

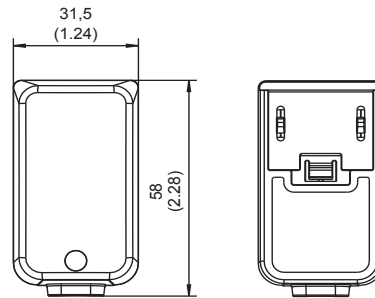
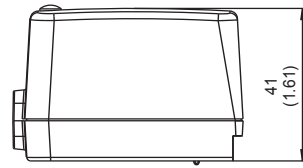
### Safety specifications

Layout acc. to safety standard	IEC/ES 60601-1, IEC/UL 62368-1
Approvals	EU, USA, AUS, JPN, CN, RUS
Safety class	II
EMC	EN 60601-1-2:2015, EN 55032:2015, EN 55035:2017
Medical protection	2 x MOPP

### Mechanical data

Dimensions	93.7 x 59.9 x 34.1 mm
Weight	135 g
Connectors	
AC input:	Interchangeable primary adapter system
DC output:	Secondary adapter system

FW8002.1M  
**FOX6-XM**



Alle Abmessungen in Millimeter (Inch), Abweichung ± 0,5 (0.02)  
All Dimensions in Millimeter (Inch), Deviation ± 0,5 (0.02)



Voltage	Current	Ripple voltage	Article no.
5 V	1400 mA	180 mV pp	1960496
5.9 V	1200 mA	150 mV pp	1960497
7.5 V	800 mA	150 mV pp	1960498
9 V	800 mA	150 mV pp	1960499
12 V	600 mA	200 mV pp	1960500
15 V	500 mA	200 mV pp	1960501
18 V	400 mA	180 mV pp	1960502
24 V	300 mA	240 mV pp	1960503

### Technical data

Input voltage	100 – 240 V ± 10 %
Frequency	50 – 60 Hz
Input current	160 – 80 mA
Leakage current	≤ 10 µA
Output voltage tolerance	± 5 %
Turn-on delay	≤ 3 s
Stand-by	≤ 0.1 W
Efficiency	DoE: 10 CFR §430.32, energy efficiency level VI ErP: Commission Regulation (EU) 2019/1782
MTBF	200.000 h*

### Characteristics

- + Efficiency level VI
- + Overload protection
- + Overvoltage protection
- + Continuously short circuit proof

### Labels / Certifications



Further approvals possible after consultation

### Environmental specifications

Operating temperature	0 – 45° C
Humidity	10 – 95 %
Storage temperature	-40 – 70° C
Operating altitude	3000 m

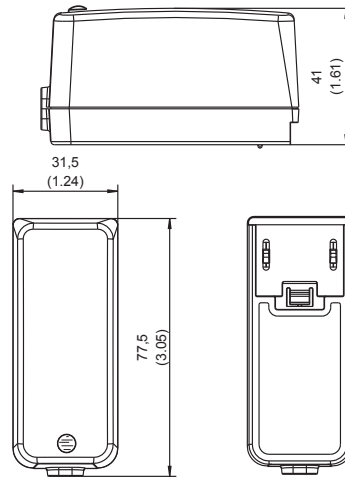
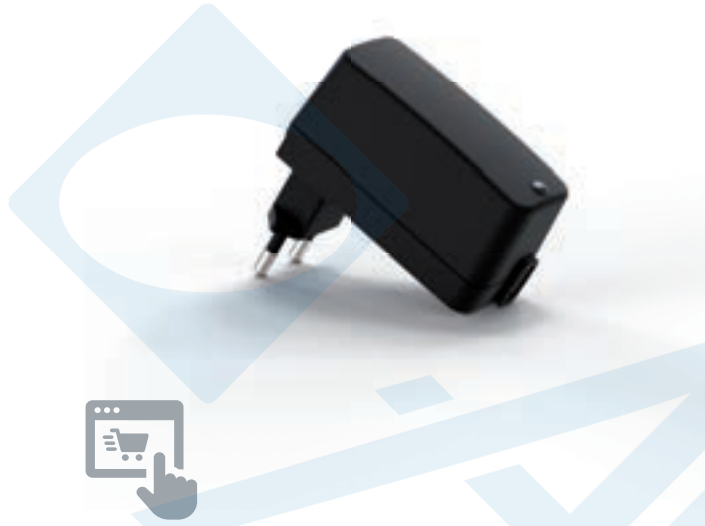
### Safety specifications

Layout acc. to safety standard	IEC/ES 60601-1
Approvals	EU, USA, AUS, JPN
Safety class	II
EMC	EN 60601-1-2:2015
Medical protection	2 x MOPP

### Mechanical data

Dimensions	58.0 x 31.5 x 41.0 mm
Weight	108 g
Connectors	
AC input:	Interchangeable primary adapter system
DC output:	Secondary adapter system

FW8000M  
FOX12-XM



Alle Abmessungen in Millimeter (Inch), Abweichung ± 0,5 (0.02)  
All Dimensions in Millimeter (Inch), Deviation ± 0,5 (0.02)



Voltage	Current	Ripple voltage	Article no.
5 V	2000 mA	100 mV pp	1898124
5.9 V	2000 mA	100 mV pp	1898125
7.5 V	1400 mA	100 mV pp	1898126
9 V	1300 mA	100 mV pp	1898127
12 V	1000 mA	100 mV pp	1898128
15 V	800 mA	100 mV pp	1898129
18 V	660 mA	100 mV pp	1898130
24 V	500 mA	100 mV pp	1898131

**Technical data**

Input voltage	100 – 240 V ± 10 %
Frequency	50 – 60 Hz
Input current	300 – 150 mA
Leakage current	≤ 10 µA
Output voltage tolerance	± 5 %
Turn-on delay	≤ 2 s
Stand-by	≤ 0.1 W
Efficiency	DoE: 10 CFR §430.32, energy efficiency level VI ErP: Commission Regulation (EU) 2019/1782
MTBF	200.000 h*

**Characteristics**

- + Efficiency level VI
- + Overload protection
- + Overvoltage protection
- + Continuously short circuit proof

**Environmental specifications**

Operating temperature	0 – 45° C
Humidity	10 – 95 %
Storage temperature	-40 – 70° C
Operating altitude	3000 m

**Labels / Certifications**



Further approvals possible after consultation

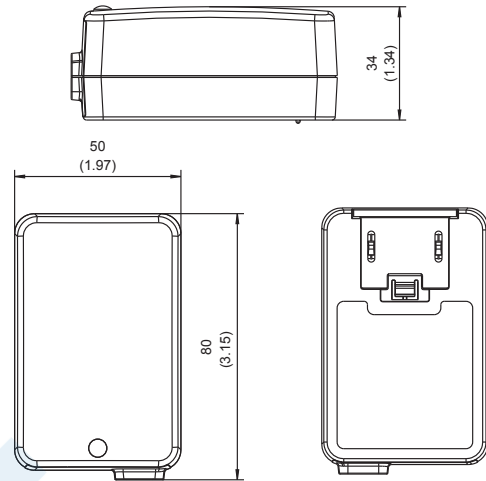
**Safety specifications**

Layout acc. to safety standard	IEC/ES 60601-1
Approvals	EU, USA, AUS, JPN
Safety class	II
EMC	EN 60601-1-2:2015
Medical protection	2 x MOPP

**Mechanical data**

Dimensions	77.5 x 31.5 x 41.0 mm
Weight	127 g
Connectors	
AC input:	Interchangeable primary adapter system
DC output:	Secondary adapter system

FW8001M  
FOX18-XM



Alle Abmessungen in Millimeter (Inch), Abweichung ± 0,5 (0.02)  
All Dimensions in Millimeter (Inch), Deviation ± 0.5 (0.02)

Voltage	Current	Ripple voltage	Article no.
5 V	3000 mA	150 mV pp	1898133
5.9 V	3000 mA	120 mV pp	1898134
7.5 V	2400 mA	120 mV pp	1898135
9 V	2000 mA	120 mV pp	1898136
12 V	1500 mA	120 mV pp	1898137
15 V	1200 mA	150 mV pp	1898138
18 V	1000 mA	180 mV pp	1898139
24 V	750 mA	180 mV pp	1898140

### Technical data

Input voltage	100 – 240 V ± 10 %
Frequency	50 – 60 Hz
Input current	400 – 200 mA
Leakage current	≤ 10 µA
Output voltage tolerance	± 5 %
Turn-on delay	≤ 1 s
Stand-by	≤ 0.1 W
Efficiency	DoE: 10 CFR 5430.32, energy efficiency level VI ErP: Commission Regulation (EU) 2019/1782
MTBF	200.000 h*

### Characteristics

- + Efficiency level VI
- + Overload protection
- + Overvoltage protection
- + Continuously short circuit proof

### Labels / Certifications



Further approvals possible after consultation

### Environmental specifications

Operating temperature	0 – 50 °C
Humidity	10 – 95 %
Storage temperature	-40 – 70 °C
Operating altitude	5000 m

### Safety specifications

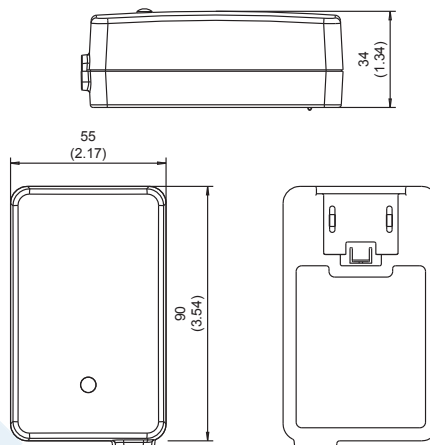
Layout acc. to safety standard	IEC/ES 60601-1
Approvals	EU, USA, AUS, JPN
Safety class	II
EMC	EN 60601-1-2:2015
Medical protection	2 x MOPP

### Mechanical data

Dimensions	80.0 x 50.0 x 34.0 mm
Weight	157 g
Connectors	
AC input:	Interchangeable primary adapter system
DC output:	Secondary adapter system



FW8030M  
FOX30-XM



Alle Abmessungen in Millimeter (Inch), Abweichung ± 0.5 (0.02)  
All Dimensions in Millimeter (Inch), Deviation ± 0.5 (0.02)

Voltage	Current	Ripple voltage	Article no.
5 V	5000 mA	150 mV pp	1898160
5.9 V	4200 mA	150 mV pp	1898161
7.5 V	4000 mA	150 mV pp	1898162
9 V	3300 mA	120 mV pp	1898163
12 V	2500 mA	120 mV pp	1898164
15 V	2000 mA	150 mV pp	1898165
18 V	1670 mA	200 mV pp	1898166
24 V	1250 mA	200 mV pp	1898167

**Technical data**

Input voltage	100 – 240 V ± 10 %
Frequency	50 – 60 Hz
Input current	600 – 300 mA
Leakage current	≤ 10 µA
Output voltage tolerance	± 5 %
Turn-on delay	≤ 3 s
Stand-by	≤ 0.1 W
Efficiency	DoE: 10 CFR 5430.32, energy efficiency level VI
ErP:	Commission Regulation (EU) 2019/1782
MTBF	200.000 h*

**Characteristics**

- + Efficiency level VI
- + Overload protection
- + Overvoltage protection
- + Continuously short circuit proof

**Environmental specifications**

Operating temperature	0 – 45° C (FOX30-X)
Humidity	10 – 95 %
Storage temperature	-40 – 70° C
Operating altitude	4000 m

**Labels / Certifications**



Further approvals possible after consultation

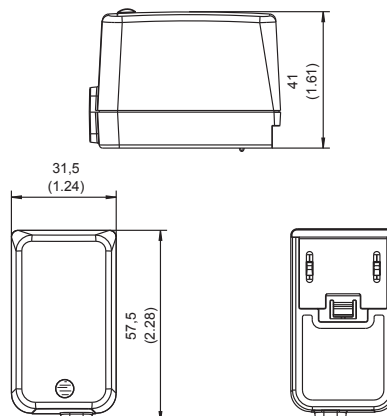
**Safety specifications**

Layout acc. to safety standard	IEC/ES 60601-1
Approvals	EU, USA, AUS, JPN
Safety class	II
EMC	EN 60601-1-2:2015
Medical protection	2 x MOPP

**Mechanical data**

Dimensions	90.0 x 55.0 x 34.0 mm
Weight	187 g
Connectors	
AC input:	Interchangeable primary adapter system
DC output:	Secondary adapter system

FW8002.1M/USB  
**FOX6-XM-USB**



Alle Abmessungen in Millimeter (Inch), Abweichung ± 0,5 (0.02)  
All Dimensions in Millimeter (Inch), Deviation ± 0,5 (0.02)



Voltage	Current	Ripple voltage	Article no.
5 V	1400 mA	80 mV pp black housing	1960267
5 V	1400 mA	80 mV pp white housing	1960945

**Technical data**

Input voltage	100 – 240 V ± 10 %
Frequency	50 – 60 Hz
Input current	160 mA - 80 mA
Leakage current	≤ 10 µA
Output voltage tolerance	± 5 %
Turn-on delay	≤ 3 s
Stand-by	≤ 0.1 W
Efficiency	DoE: 10 CFR §430.32, energy efficiency level VI ErP: Commission Regulation (EU) 2019/1782
MTBF	200.000 h*

**Characteristics**

- + Efficiency level VI
- + Overload protection
- + Overvoltage protection
- + Continuously short circuit proof

**Environmental specifications**

Operating temperature	0 – 45° C
Humidity	10 – 95 %
Storage temperature	-40 – 70° C
Operating altitude	3000 m

**Labels / Certifications**



Further approvals possible after consultation

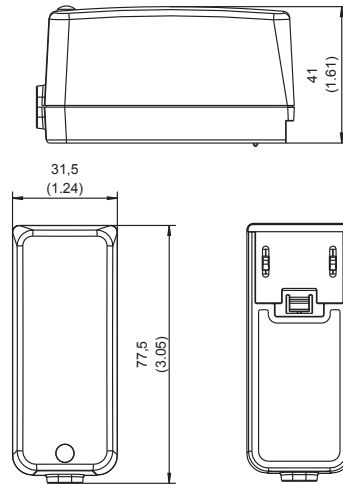
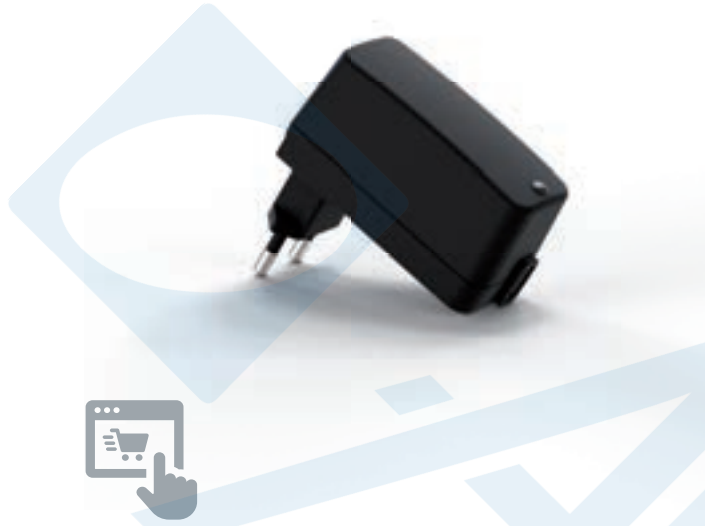
**Safety specifications**

Layout acc. to safety standard	IEC/ES 60601-1
Approvals	EU, USA, AUS, JPN
Safety class	II
EMC	EN 60601-1-2:2015
Medical protection	2 x MOPP

**Mechanical data**

Dimensions	57.5 x 31.5 x 41.0 mm
Weight	68 g
Connectors	
AC input:	Interchangeable primary adapter system
DC output:	USB socket type A

FW8000M/USB  
**FOX12-XM-USB**



Alle Abmessungen in Millimeter (Inch), Abweichung ± 0,5 (0.02)  
All Dimensions in Millimeter (Inch), deviation ± 0,5 (0.02)



Voltage	Current	Ripple voltage	Article no.
5 V	2200 mA	80 mV pp	1898350

**Technical data**

Input voltage	100 – 240 V ± 10 %
Frequency	50 – 60 Hz
Input current	300 – 150 mA
Leakage current	≤ 10 µA
Output voltage tolerance	± 5 %
Turn-on delay	≤ 2 s
Stand-by	≤ 0.1 W
Efficiency	DoE: 10 CFR 5430.32, energy efficiency level VI
	ErP: Commission Regulation (EU) 2019/1782
MTBF	200.000 h*

**Characteristics**

- + Efficiency level VI
- + Overload protection
- + Overvoltage protection
- + Continuously short circuit proof

**Environmental specifications**

Operating temperature	0 – 45° C
Humidity	10 – 95 %
Storage temperature	-40 – 70° C
Operating altitude	3000 m

**Labels / Certifications**



Further approvals possible after consultation

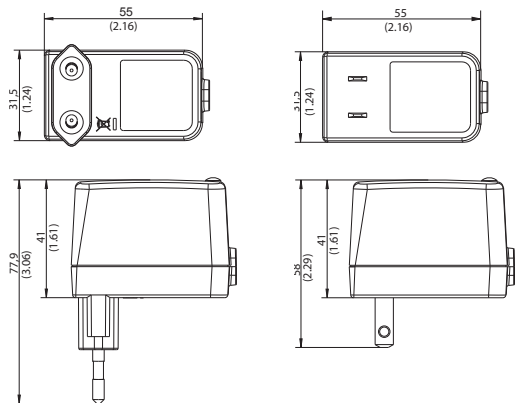
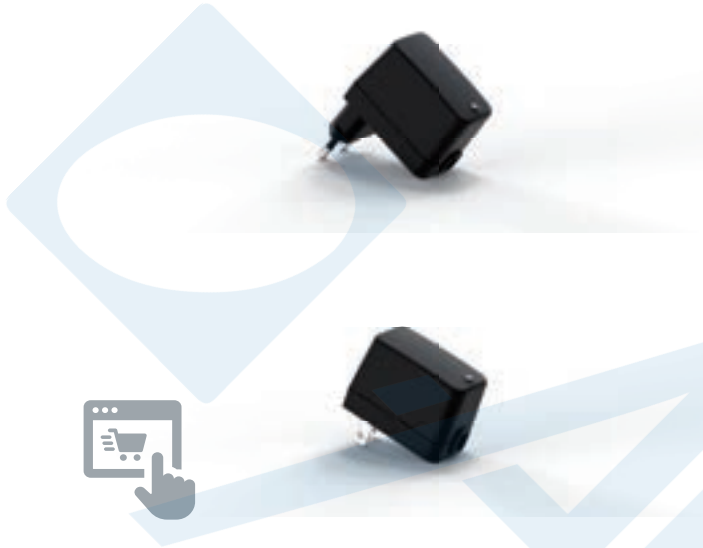
**Safety specifications**

Layout acc. to safety standard	IEC/ES 60601-1
Approvals	EU, USA, AUS, JPN
Safety class	II
EMC	EN 60601-1-2:2015
Medical protection	2 x MOPP

**Mechanical data**

Dimensions	77.5 x 31.5 x 41.0 mm
Weight	65 g
Connectors	
AC input:	Interchangeable primary adapter system
DC output:	USB socket type A

FW8002.1M  
**FOX6-FM**



Alle Abmessungen in Millimeter (Inch), Abweichung  $\pm 0,5$  (0.02)  
All Dimensions in Millimeter (Inch), Deviation  $\pm 0,5$  (0.02)

Voltage	Current	Article no. (Euro)	Article no. (US)
5 V	1400 mA	1961474	1961482
5.9 V	1200 mA	1961475	1961483
7.5 V	800 mA	1961476	1961484
9 V	800 mA	1961477	1961485
12 V	600 mA	1961478	1961486
15 V	500 mA	1961479	1961487
18 V	400 mA	1961480	1961488
24 V	300 mA	1961481	1961489

Minimum order quantity: on request

**Technical data**

Input voltage	100 – 240 V $\pm 10\%$
Frequency	50 – 60 Hz
Input current	160 – 80 mA
Leakage current	$\leq 10 \mu\text{A}$
Output voltage tolerance	$\pm 5\%$
Turn-on delay	$\leq 2 \text{ s}$
Stand-by	$\leq 0.1 \text{ W}$
Efficiency	DoE: 10 CFR §430.32, energy efficiency level VI ErP: Commission Regulation (EU) 2019/1782
MTBF	200.000 h*

**Characteristics**

- + Efficiency level VI
- + Overload protection
- + Overvoltage protection
- + Continuously short circuit proof

**Labels / Certifications**



Further approvals possible after consultation

**Environmental specifications**

Operating temperature	0 – 45° C
Humidity	10 – 95 %
Storage temperature	-40 – 70° C
Operating altitude	3000 m

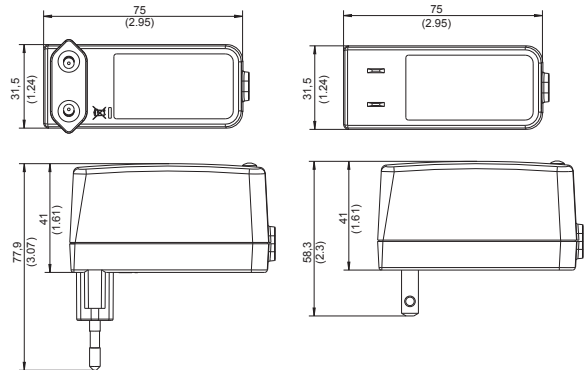
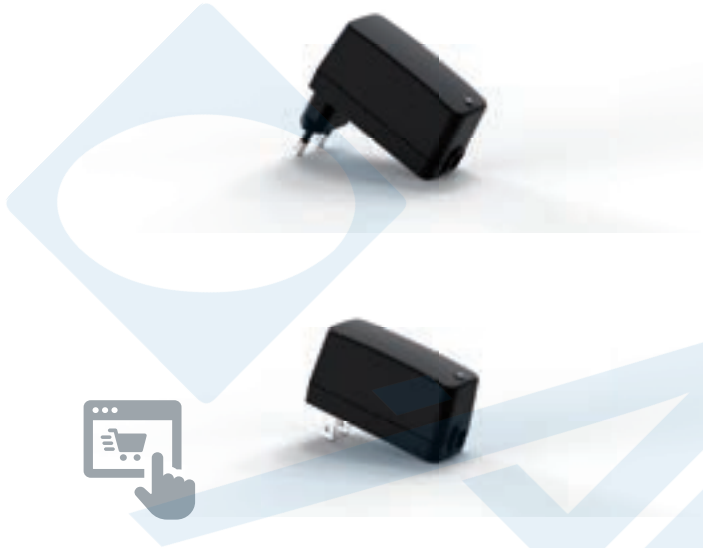
**Safety specifications**

Layout acc. to safety standard	IEC 60601-1
Approvals	EU, USA
Safety class	II
EMC	EN 55032, EN 55035 EN 60601-1-2 4th Edition
Medical protection	2 x MOPP

**Mechanical data**

Dimensions	55.0 x 31.5 x 41.0 mm
Weight	108 g
Connectors	
AC input:	see article no.
DC output:	Secondary adapter system

FW8000M  
FOX12-FM



Alle Abmessungen in Millimeter (Inch), Abweichung  $\pm 0.5$  (0.02)  
All Dimensions in Millimeter (Inch), Deviation  $\pm 0.5$  (0.02)

Voltage	Current	Article no. (Euro)	Article no. (US)
5 V	2200 mA	1898776	1898785
5.9 V	2000 mA	1898777	1898786
7.5 V	1400 mA	1898778	1898787
9 V	1300 mA	1898779	1898788
12 V	1000 mA	1898780	1898789
15 V	800 mA	1898781	1898790
18 V	660 mA	1898782	1898791
24 V	500 mA	1898783	1898792

Minimum order quantity: on request

### Characteristics

- + Efficiency level VI
- + Overload protection
- + Overvoltage protection
- + Continuously short circuit proof

### Labels / Certifications



Further approvals possible after consultation

### Technical data

Input voltage	100 – 240 V $\pm 10\%$
Frequency	50 – 60 Hz
Input current	300 – 150 mA
Leakage current	$\leq 10 \mu\text{A}$
Output voltage tolerance	$\pm 5\%$
Turn-on delay	$\leq 2 \text{ s}$
Stand-by	$\leq 0.1 \text{ W}$
Efficiency	DoE: 10 CFR 5430.32, energy efficiency level VI ErP: Commission Regulation (EU) 2019/1782
MTBF	200.000 h*

### Environmental specifications

Operating temperature	0 – 45° C
Humidity	10 – 95 %
Storage temperature	-40 – 70° C
Operating altitude	3000 m

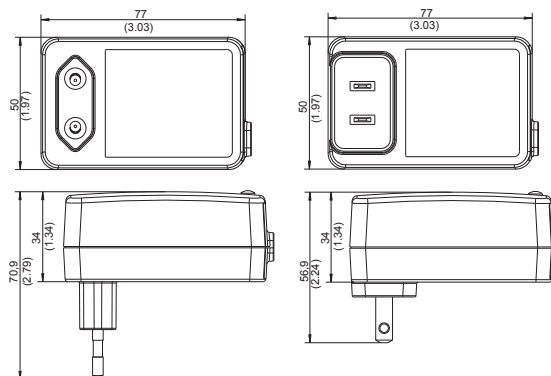
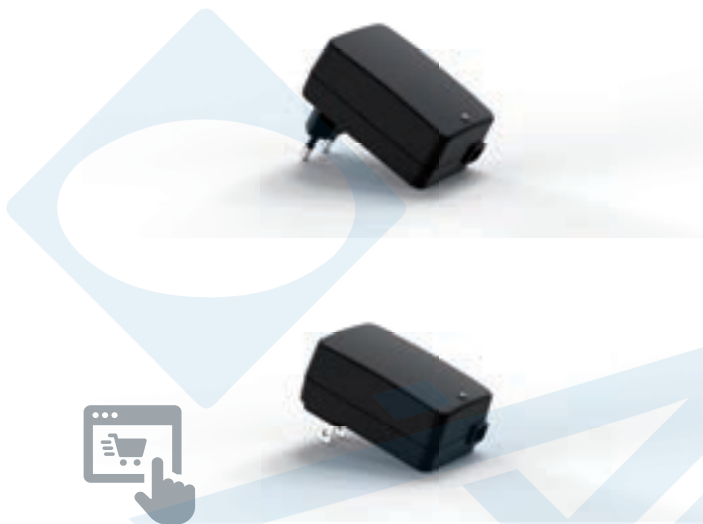
### Safety specifications

Layout acc. to safety standard	IEC 60601-1
Approvals	EU, USA
Safety class	II
EMC	EN 55032, EN 55035 EN 60601-1-2 4th Edition
Medical protection	2 x MOPP

### Mechanical data

Dimensions	75.0 x 31.5 x 41.0 mm
Weight	134 g
Connectors	
AC input:	see article no.
DC output:	Secondary adapter system

FW8001M  
**FOX18-FM**



Alle Abmessungen in Millimeter (Inch), Abweichung  $\pm 0,5$  (0.02)  
All Dimensions in Millimeter (Inch), Deviation  $\pm 0,5$  (0.02)

Voltage	Current	Article no. (Euro)	Article no. (US)
5 V	3000 mA	1898937	1898946
5.9 V	3000 mA	1898938	1898947
7.5 V	2400 mA	1898939	1898948
9 V	2000 mA	1898940	1898949
12 V	1500 mA	1898941	1898950
15 V	1200 mA	1898942	1898951
18 V	1000 mA	1898943	1898952
24 V	750 mA	1898944	1898953

Minimum order quantity: on request

### Technical data

Input voltage	100 – 240 V $\pm 10\%$
Frequency	50 – 60 Hz
Input current	400 – 200 mA
Leakage current	$\leq 10 \mu\text{A}$
Output voltage tolerance	$\pm 5\%$
Turn-on delay	$\leq 2 \text{ s}$
Stand-by	$\leq 0.1 \text{ W}$
Efficiency	DoE: 10 CFR §430.32, energy efficiency level VI ErP: Commission Regulation (EU) 2019/1782
MTBF	200.000 h*

### Characteristics

- + Efficiency level VI
- + Overload protection
- + Overvoltage protection
- + Continuously short circuit proof

### Labels / Certifications



Further approvals possible after consultation

### Environmental specifications

Operating temperature	0 – 50 °C
Humidity	10 – 95 %
Storage temperature	-40 – 70 °C
Operating altitude	5000 m

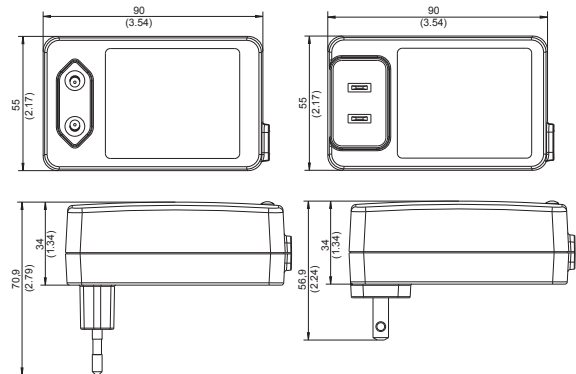
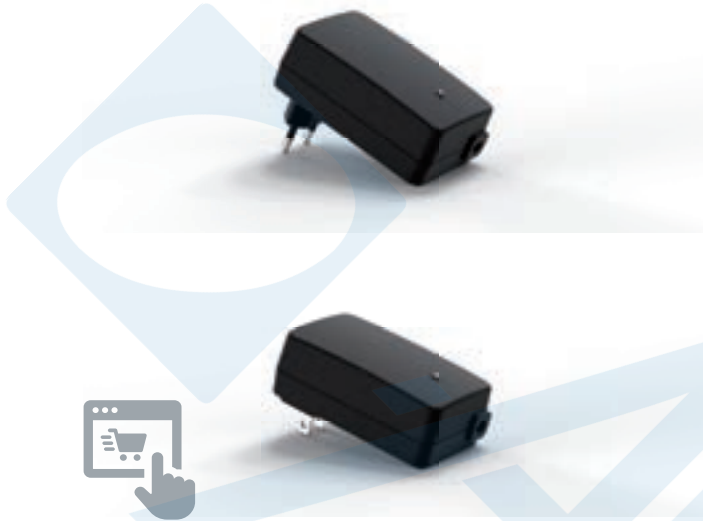
### Safety specifications

Layout acc. to safety standard	IEC 60601-1
Approvals	EU, USA
Safety class	II
EMC	EN 55032, EN 55035 EN 60601-1-2 4th Edition
Medical protection	2 x MOPP

### Mechanical data

Dimensions	77.0 x 50.0 x 34.0 mm
Weight	164 g
Connectors	
AC input:	see article no.
DC output:	Secondary adapter system

FW8030M  
**FOX30-FM**



Alle Abmessungen in Millimeter (Inch), Abweichung ± 0,5 (0.02)  
All Dimensions in Millimeter (Inch), Deviation ± 0,5 (0.02)

Voltage	Current	Article no. (Euro)	Article no. (US)
5 V	5000 mA	1898813	1898822
5.9 V	4200 mA	1898814	1898823
7.5 V	4000 mA	1898815	1898824
9 V	3300 mA	1898816	1898825
12 V	2500 mA	1898817	1898826
15 V	2000 mA	1898818	1898827
18 V	1670 mA	1898819	1898828
24 V	1250 mA	1898820	1898829

Minimum order quantity: on request

**Technical data**

Input voltage	100 – 240 V ± 10 %
Frequency	50 – 60 Hz
Input current	600 – 300 mA
Leakage current	≤ 10 µA
Output voltage tolerance	± 5 %
Turn-on delay	≤ 3 s
Stand-by	≤ 0.1 W
Efficiency	DoE: 10 CFR §430.32, energy efficiency level VI ErP: Commission Regulation (EU) 2019/1782
MTBF	200.000 h*

**Characteristics**

- + Efficiency level VI
- + Overload protection
- + Overvoltage protection
- + Continuously short circuit proof

**Environmental specifications**

Operating temperature	0 – 45° C,
Humidity	10 – 95 %
Storage temperature	-40 – 70° C
Operating altitude	4000 m

**Labels / Certifications**



Further approvals possible after consultation

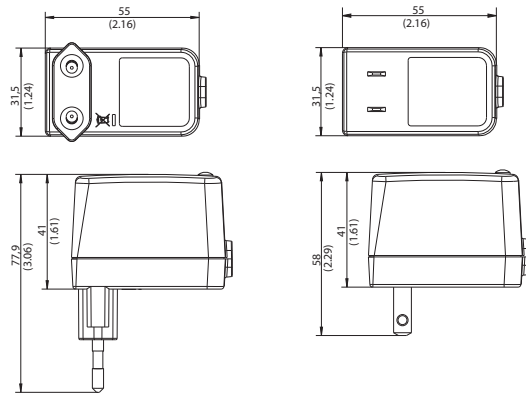
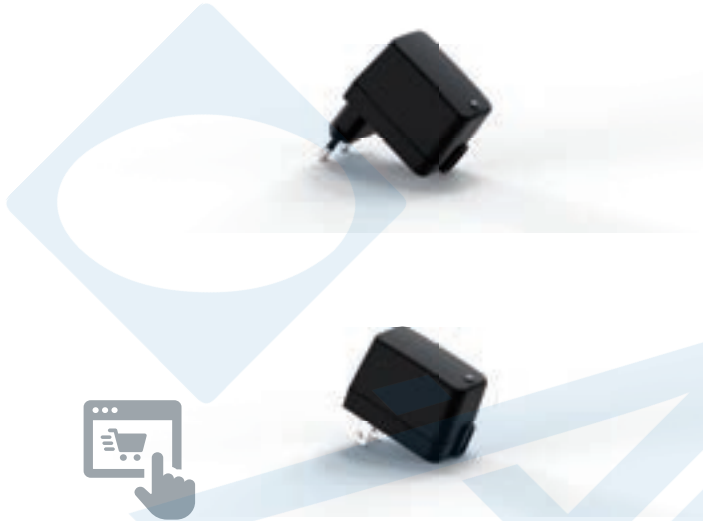
**Safety specifications**

Layout acc. to safety standard	IEC 60601-1
Approvals	EU, USA
Safety class	II
EMC	EN 55032, EN 55035 EN 60601-1-2 4th Edition
Medical protection	2 x MOPP

**Mechanical data**

Dimensions	90.0 x 55.0 x 34.0 mm
Weight	187 g
Connectors	
AC input:	see article no.
DC output:	Secondary adapter system

FW8002.1M/USB  
**FOX6-FM-USB**



Alle Abmessungen in Millimeter (Inch), Abweichung  $\pm 0,5$  (0,02)  
All Dimensions in Millimeter (Inch), Deviation  $\pm 0,5$  (0,02)

Voltage	Current	Article no. (Euro)	Article no. (US)
5 V	1400 mA	1961490	1961491

Minimum order quantity: on request

**Technical data**

Input voltage	100 – 240 V $\pm 10\%$
Frequency	50 – 60 Hz
Input current	80 – 160 mA
Leakage current	$\leq 10 \mu\text{A}$
Output voltage tolerance	$\pm 5\%$
Turn-on delay	$\leq 2 \text{ s}$
Stand-by	$\leq 0.1 \text{ W}$
Efficiency	DoE: 10 CFR §430.32, energy efficiency level VI ErP: Commission Regulation (EU) 2019/1782
MTBF	200.000 h*

**Characteristics**

- + Efficiency level VI
- + Overload protection
- + Overvoltage protection
- + Continuously short circuit proof

**Environmental specifications**

Operating temperature	0 – 45° C
Humidity	10 – 95 %
Storage temperature	-40 – 70° C
Operating altitude	3000 m

**Labels / Certifications**



Further approvals possible after consultation

**Safety specifications**

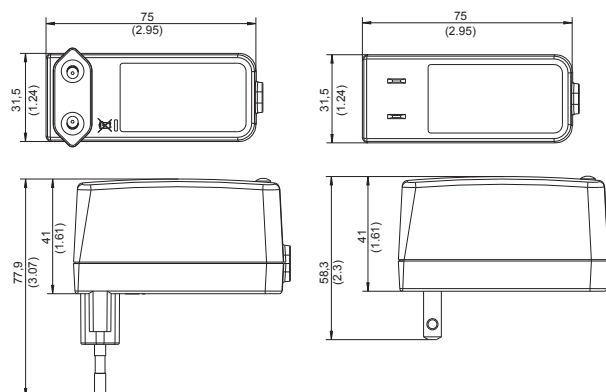
Layout acc. to safety standard	IEC 60601-1
Approvals	EU, USA
Safety class	II
EMC	EN 55032, EN 55035 EN 60601-1-2 4th Edition
Medical protection	2 x MOPP

**Mechanical data**

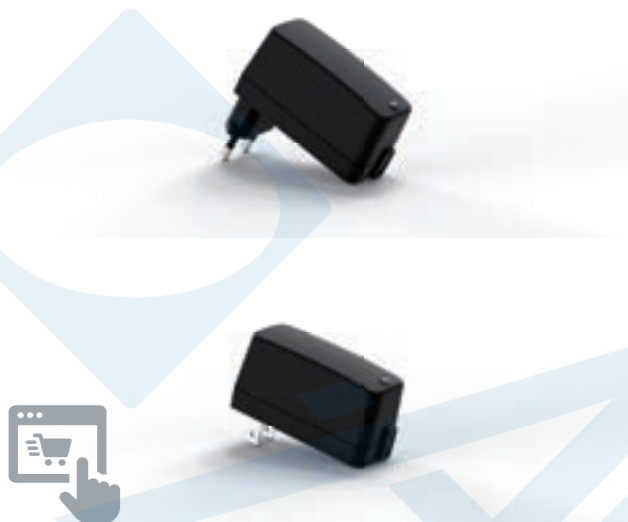
Dimensions	55.0 x 31.5 x 41.0 mm
Weight	68 g
Connectors	
AC input:	see article no.
DC-Ausgang:	USB-Buchse Typ A



FW8000M/USB  
**FOX12-FM-USB**



Alle Abmessungen in Millimeter (Inch), Abweichung ± 0,5 (0.02)  
All Dimensions in Millimeter (Inch), Deviation ± 0,5 (0.02)



Voltage	Current	Article no. (Euro)	Article no. (US)
5 V	2200 mA	1898871	1898872

Minimum order quantity: on request

### Technical data

Input voltage	100 – 240 V ± 10 %
Frequency	50 – 60 Hz
Input current	300– 150 mA
Leakage current	≤ 10 µA
Output voltage tolerance	± 5 %
Turn-on delay	≤ 2 s
Stand-by	≤ 0.1 W
Efficiency	DoE: 10 CFR §430.32, energy efficiency level VI ErP: Commission Regulation (EU) 2019/1782
MTBF	200.000 h*

### Environmental specifications

Operating temperature	0 – 45° C
Humidity	10 – 95 %
Storage temperature	-40 – 70° C
Operating altitude	3000 m

### Safety specifications

Layout acc. to safety standard	IEC 60601-1
Approvals	EU, USA
Safety class	II
EMC	EN 55032, EN 55035 EN 60601-1-2 4th Edition
Medical protection	2 x MOPP

### Mechanical data

Dimensions	75.0 x 31.5 x 41.0 mm
Weight	73 g
Connectors	
AC input:	see article no.
DC-Ausgang:	USB-Buchse Typ A

### Characteristics

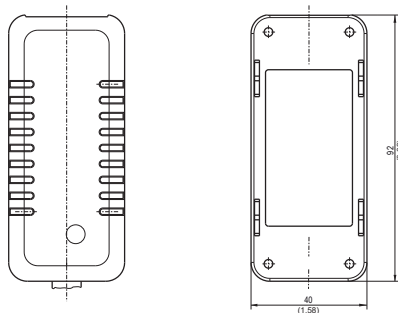
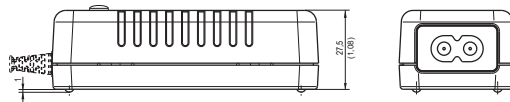
- + Efficiency level VI
- + Overload protection
- + Overvoltage protection
- + Continuously short circuit proof

### Labels / Certifications



Further approvals possible after consultation

FW8004M/DT  
DT12-M



Alle Abmessungen in Millimeter (Inch), Abweichung ± 0.5 (0.02)  
All Dimensions in Millimeter (Inch), Deviation ± 0.5 (0.02)



Voltage	Current	Ripple voltage	Article no.
5 V	2000 mA	120 mV pp	1960134
12 V	1000 mA	120 mV pp	1960077
24 V	500 mA	120 mV pp	1960227

### Technical data

Input voltage	100 – 240 V
Frequency	50 – 60 Hz
Input current	250 – 130 mA
Leakage current	≤ 10 µA
Output voltage tolerance	± 5 %
Stand-by	≤ 0.1 W
Efficiency	DoE: 10 CFR §430.32, energy efficiency level VI ErP: Commission Regulation (EU) 2019/1782
MTBF	200.000 h*

### Characteristics

- + Efficiency level VI
- + Overload protection
- + Overvoltage protection
- + Continuously short circuit proof

### Labels / Certifications



Further approvals possible after consultation

### Environmental specifications

Operating temperature	0 – 40° C
Humidity	10 – 95 %
Storage temperature	-40 – 70° C
Operating altitude	2000 m

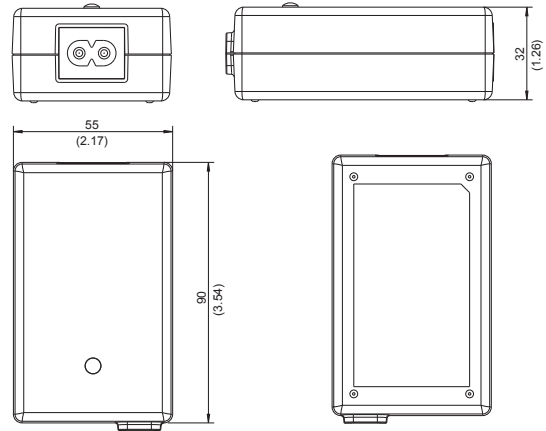
### Safety specifications

Layout acc. to safety standard	IEC 60601-1, ES60601-1
Approvals	EU, USA
Safety class	II
EMC	EN 60601-1-2:2015
Medical protection	2 x MOPP

### Mechanical data

Dimensions	92.0 x 40.0 x 27.5 mm
Weight	189 g, 135 g (1960077, 1960227)
Connectors	
AC input:	2 pole, IEC 60320-C8 socket
DC output:	Secondary adapter system

FW8030M/DT  
**FOX30-DM**



Voltage	Current	Ripple voltage	Article no.
5 V	5000 mA	150 mV pp	1898179
5.9 V	4200 mA	150 mV pp	1898180
7.5 V	4000 mA	150 mV pp	1898181
9 V	3300 mA	120 mV pp	1898182
12 V	2500 mA	120 mV pp	1898183
15 V	2000 mA	150 mV pp	1898184
18 V	1670 mA	200 mV pp	1898185
24 V	1250 mA	200 mV pp	1898186

### Technical data

Input voltage	100 – 240 V
Frequency	50 – 60 Hz
Input current	300 – 600 mA
Leakage current	≤ 10 µA
Output voltage tolerance	± 5 %
Turn-on delay	≤ 3 s
Stand-by	≤ 0.1 W
Efficiency	DoE: 10 CFR §430.32, energy efficiency level VI ErP: Commission Regulation (EU) 2019/1782
MTBF	200.000 h*

### Characteristics

- + Efficiency level VI
- + Overload protection
- + Overvoltage protection
- + Continuously short circuit proof

### Labels / Certifications



Further approvals possible after consultation

### Environmental specifications

Operating temperature	0 – 45° C (FOX30-D)
Humidity	10 – 95 %
Storage temperature	-40 – 70° C
Operating altitude	4000 m

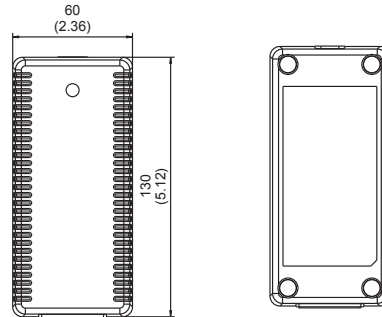
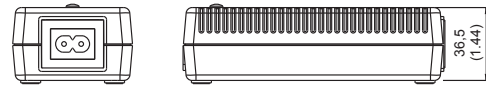
### Safety specifications

Layout acc. to safety standard	IEC/ES 60601-1
Approvals	EU, USA, AUS, JPN
Safety class	II
EMC	EN 55035, EN 55032
Medical protection	2 x MOPP

### Mechanical data

Dimensions	90.0 x 55.0 x 32.0 mm
Weight	185 g
Connectors	
AC input:	2 pole, IEC 60320-C8 socket
DC output:	Secondary adapter system

FW7405M  
DT50-M



Alle Abmessungen in Millimeter (Inch), Abweichung ± 0,5 (0.02)  
All Dimensions in Millimeter (Inch), Deviation ± 0,5 (0.02)



Voltage	Current	Ripple voltage	Article no.
5 V	5000 mA	120 mV pp	1890649
12 V	3800 mA	120 mV pp	1890650
15 V	3000 mA	120 mV pp	1890839
24 V	2200 mA	120 mV pp	1825898

### Technical data

Input voltage	100 – 240 V
Frequency	50 – 60 Hz
Input current	1100 – 500 mA
Leakage current	≤ 10 µA
Output voltage tolerance	± 5 %
Turn-on delay	≤ 3 s
Stand-by	≤ 0.75 W
MTBF	200.000 h*

### Environmental specifications

Operating temperature	0 – 40° C
Humidity	10 – 90 %
Storage temperature	-40 – 70° C
Operating altitude	4000 m

### Safety specifications

Layout acc. to safety standard	IEC 60601-1
Approvals	EU, USA, AUS,
Safety class	II
EMC	EN 60601-1-2 4th Edition
Medical protection	2 x MOPP

### Mechanical data

Dimensions	60.0 x 130.0 x 36.5 mm
Weight	250 - 375 g
Connectors	
AC input:	2 pole, IEC 60320-C8 socket
DC output:	Secondary adapter system

### Characteristics

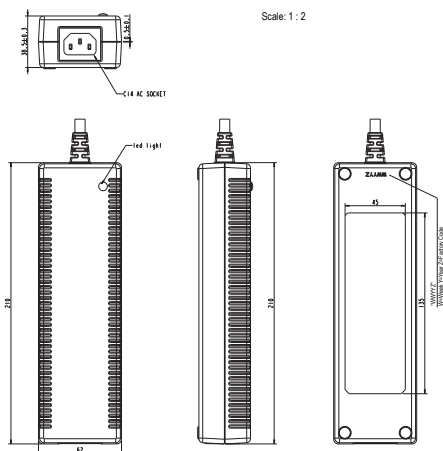
- + Overload protection
- + Overvoltage protection
- + Continuously short circuit proof

### Labels / Certifications



Further approvals possible after consultation

DT150-24 MOPP  
DT150-M



Alle Abmessungen in Millimeter (Inch), Abweichung ± 0,5 (0.02)  
All Dimensions in Millimeter (Inch), Deviation ± 0,5 (0.02)

Voltage	Current	Ripple voltage	Article no.
24 V	6250 mA	240 mV pp	1893142

**Technical data**

Input voltage	100 – 240 V
Frequency	50 – 60 Hz
Input current	2000 – 700 mA
Leakage current	≤ 10 µA
Output voltage tolerance	± 5 %
Stand-by	≤ 0.5 W
MTBF	200.000 h*

**Environmental specifications**

Operating temperature	0 – 40° C
Humidity	5 – 95 %
Storage temperature	-20 – 70° C
Operating altitude	4000 m

**Safety specifications**

Layout acc. to safety standard	IEC 60601-1
Approvals	EU, USA
Safety class	I
EMC	EN 60601-1-2:2015
Medical protection	2 x MOPP

**Mechanical data**

Dimensions	62.0 x 210.0 x 38.8 mm
Weight	622 g
Connectors	
AC input:	3 pole, IEC 60320-C14 socket
DC output:	Cable with coaxial plug 11.0 x 6.5 x 3.0 mm

**Characteristics**

- + Overload protection
- + Overvoltage protection
- + Continuously short circuit proof

**Labels / Certifications**



Further approvals possible after consultation