

Features

- Full Power at Wide Output Current Range (Constant Power)
- Adjustable Output Current (AOC) with NFC
- Isolated 0-10V/PWM/3-Timer-Modes Dimmable
- INV Digital Dimming, UART Based Communication Protocol Compliant with T/CSA-051
- Dim-to-Off with Standby Power ≤ 0.5 W
- Always-on Auxiliary Power: 12Vdc, 250mA, 3W (Transient Peak Power up to 10W)
- Low Inrush Current
- Integrated Power Monitoring with High Accuracy up to $\pm 1\%$
- Output Lumen Compensation
- End-of-Life Indicator
- Thermal Sensing and Protection for LED Module
- Input Surge Protection: DM 6kV, CM 10kV
- All-Around Protection: IUVP, IOVP, OVP, SCP, OTP
- IP66 / IP67 and UL Dry / Damp / Wet Location
- TYPE HL, for Use in a Class I, Division 2 Hazardous (Classified) Location
- 7 Years Warranty



Description

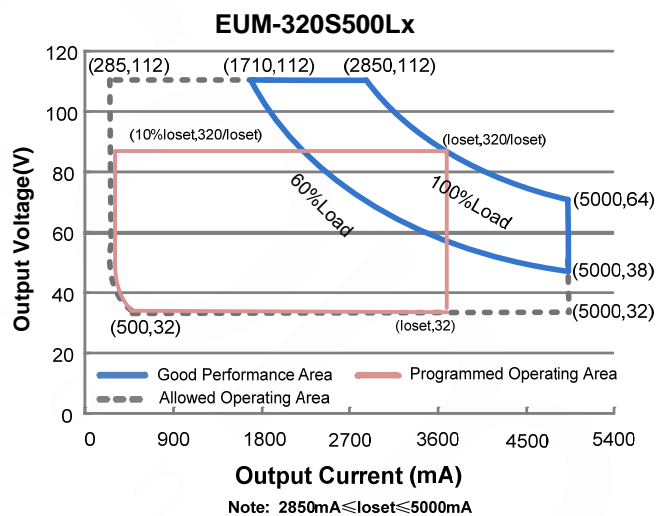
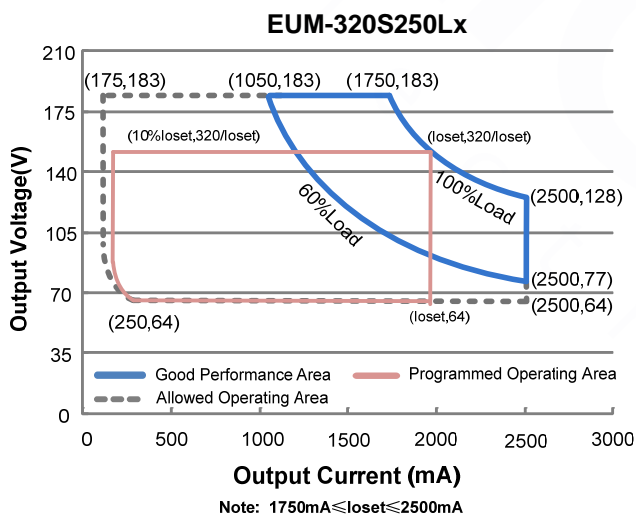
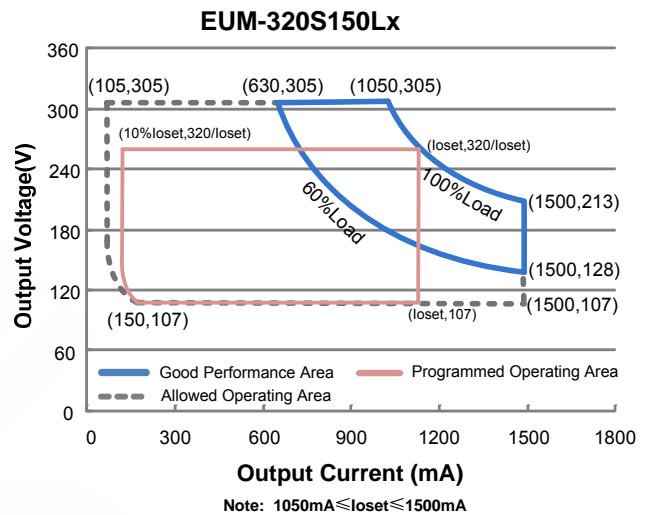
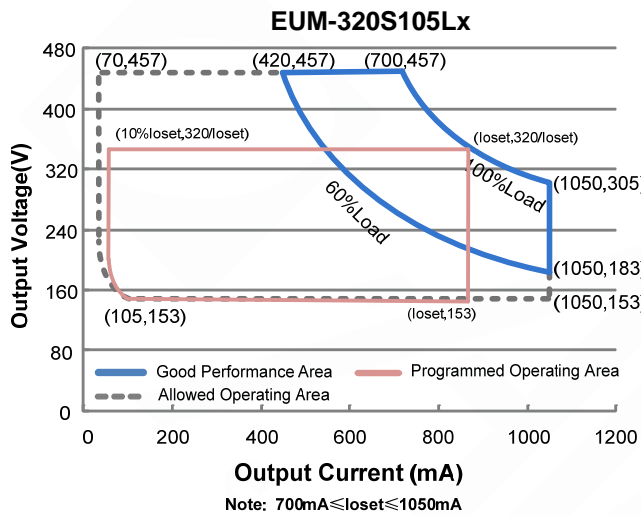
The EUM-320SxxxLx series is a 320W, constant-current, NFC programmable and IP66/IP67 rated LED driver that operates from 90-305Vac input with excellent power factor. Created for smart lighting and health monitoring applications, this family provides integrated AC power monitoring with an auxiliary voltage and dim-to-off functionality for powering low voltage, wireless controls. The dimming control supports 0-10V dimming as well as two-way communication via Digital Dimming, a UART based communication protocol that complies with T/CSA-051. The high efficiency of these drivers and compact metal case enables them to run cooler, significantly improving reliability and extending product life. To ensure trouble-free operation, protection is provided against input surge, input under voltage, input over voltage, output over voltage, short circuit, and over temperature.

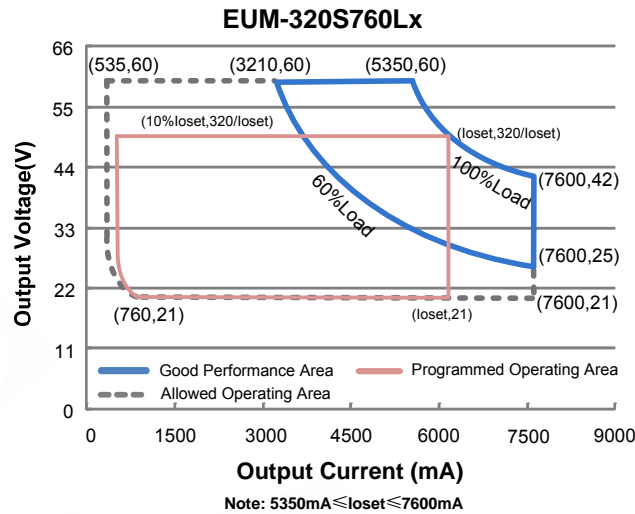
Models

Adjustable Output Current Range	Full-Power Current Range(1)	Default Output Current	Input Voltage Range(2)	Output Voltage Range	Max. Output Power	Typical Efficiency (3)	Typical Power Factor		Model Number (5)
							120Vac	220Vac	
70-1050mA	700-1050mA	700 mA	90~305 Vac/ 127~300 Vdc	153~457Vdc	320 W	94.5%	0.99	0.96	EUM-320S105Lx
105-1500mA	1050-1500mA	1400 mA	90~305 Vac/ 127~300 Vdc	107~305Vdc	320 W	94.0%	0.99	0.96	EUM-320S150Lx
175-2500mA	1750-2500mA	2100 mA	90~305 Vac/ 127~300 Vdc	64~183 Vdc	320 W	94.0%	0.99	0.96	EUM-320S250Lx
285-5000mA	2850-5000mA	4900 mA	90~305 Vac/ 127~300 Vdc	32~112 Vdc	320 W	93.5%	0.99	0.96	EUM-320S500Lx ⁽⁴⁾
535-7600mA	5350-7600mA	6700 mA	90~305 Vac/ 127~300 Vdc	21 ~ 60 Vdc	320 W	92.5%	0.99	0.96	EUM-320S760Lx ⁽⁴⁾

- Notes:** (1) Output current range with constant power at 320W
 (2) Certified input voltage range: UL, FCC 100-277Vac; otherwise 100-240Vac.
 (3) Measured at 100% load and 220Vac input (see below "General Specifications" for details).
 (4) SELV output.
 (5) x = G are UL Recognized, ENEC and CCC, etc. models; x = T are UL Class P models; x = B are BIS models.

I-V Operation Area





Input Specifications

Parameter	Min.	Typ.	Max.	Notes
Input AC Voltage	90 Vac	-	305 Vac	
Input DC Voltage	127 Vdc	-	300 Vdc	
Input Frequency	47 Hz	-	63 Hz	
Leakage Current	-	-	0.75 MIU	UL8750; 277Vac/ 60Hz
	-	-	0.70 mA	IEC60598-1; 240Vac/ 60Hz,
Input AC Current	-	-	3.35 A	Measured at 100% load and 120 Vac input.
	-	-	1.80 A	Measured at 100% load and 220 Vac input.
Inrush Current(I ² t)	-	-	1.09 A ² s	At 220Vac input, 25°C cold start, duration=7.84 ms, 10%Ipk-10%Ipk. See Inrush Current Waveform for the details.
PF	0.9	-	-	At 100-277Vac, 50-60Hz, 60%-100% Load (192-320W)
THD	-	-	20%	
THD	-	-	10%	At 220-240Vac, 50-60Hz, 75%-100% Load (240-320W)

Output Specifications

Parameter	Min.	Typ.	Max.	Notes
Output Current Tolerance	-5%loset	-	5%loset	At 100% load condition
Output Current Setting(I _{oset}) Range				
EUM-320S105Lx	70 mA	-	1050 mA	
EUM-320S150Lx	105 mA	-	1500 mA	
EUM-320S250Lx	175 mA	-	2500 mA	
EUM-320S500Lx	285 mA	-	5000 mA	
EUM-320S760Lx	535 mA	-	7600 mA	

Output Specifications (Continued)

Parameter	Min.	Typ.	Max.	Notes
Output Current Setting Range with Constant Power				
EUM-320S105Lx	700 mA	-	1050 mA	
EUM-320S150Lx	1050 mA	-	1500 mA	
EUM-320S250Lx	1750 mA	-	2500 mA	
EUM-320S500Lx	2850 mA	-	5000 mA	
EUM-320S760Lx	5350 mA	-	7600 mA	
Total Output Current Ripple (pk-pk)	-	5%Iomax	10%Iomax	At 100% load condition. 20 MHz BW
Output Current Ripple at < 200 Hz (pk-pk)	-	2%Iomax	-	At 100% load condition. Only this component of ripple is associated with visible flicker.
Startup Overshoot Current	-	-	10%Iomax	At 100% load condition
No Load Output Voltage				
EUM-320S105Lx	-	-	550 V	
EUM-320S150Lx	-	-	380 V	
EUM-320S250Lx	-	-	230 V	
EUM-320S500Lx	-	-	120 V	
EUM-320S760Lx	-	-	70 V	
Line Regulation	-	-	±0.5%	Measured at 100% load
Load Regulation	-	-	±3.0%	
Turn-on Delay Time	-	-	0.5 s	120-277Vac input, 60%-100% Load
Temperature Coefficient of Ioset	-	0.03%/°C	-	Case temperature = 0°C ~Tc max
12V Auxiliary Output Voltage	10.8 V	12 V	13.2 V	
12V Auxiliary Output Source Current	0 mA	-	250 mA	Return terminal is "Dim"
12V Auxiliary Output Transient Peak Current@6W	-	-	500 mA	500mA peak for a maximum duration of 2.2 ms in a 6.0ms period during which time the average should not exceed 250mA.
12V Auxiliary Output Transient Peak Current@10W	-	-	850 mA	850mA peak for a maximum duration of 1.3 ms in a 5.2ms period during which time the average should not exceed 250mA.

General Specifications

Parameter	Min.	Typ.	Max.	Notes
Efficiency at 120 Vac input:				
EUM-320S105Lx				
Io= 700 mA	90.0%	92.0%	-	
Io=1050 mA	90.0%	92.0%	-	
EUM-320S150Lx				
Io=1050 mA	90.0%	92.0%	-	
Io=1500 mA	90.0%	92.0%	-	
EUM-320S250Lx				
Io=1750 mA	90.0%	92.0%	-	
Io=2500 mA	90.0%	92.0%	-	
EUM-320S500Lx				
Io=2850 mA	89.5%	91.5%	-	
Io=5000 mA	88.0%	90.0%	-	
EUM-320S760Lx				
Io=5350 mA	88.5%	90.5%	-	
Io=7600 mA	88.0%	90.0%	-	

General Specifications (Continued)

Parameter	Min.	Typ.	Max.	Notes		
Efficiency at 220 Vac input: EUM-320S105Lx I _o = 700 mA I _o =1050 mA	92.5% 92.5%	94.5% 94.5%	- -	Measured at 100% load and steady-state temperature in 25°C ambient; (Efficiency will be about 2.0% lower if measured immediately after startup.)		
EUM-320S150Lx I _o =1050 mA I _o =1500 mA	92.0% 92.0%	94.0% 94.0%	- -			
EUM-320S250Lx I _o =1750 mA I _o =2500 mA	92.0% 92.0%	94.0% 94.0%	- -			
EUM-320S500Lx I _o =2850 mA I _o =5000 mA	91.5% 90.0%	93.5% 92.0%	- -			
EUM-320S760Lx I _o =5350 mA I _o =7600 mA	90.5% 90.0%	92.5% 92.0%	- -			
Efficiency at 277 Vac input: EUM-320S105Lx I _o = 700 mA I _o =1050 mA	92.5% 92.5%	94.5% 94.5%	- -		Measured at 100% load and steady-state temperature in 25°C ambient; (Efficiency will be about 2.0% lower if measured immediately after startup.)	
EUM-320S150Lx I _o =1050 mA I _o =1500 mA	92.5% 92.5%	94.5% 94.5%	- -			
EUM-320S250Lx I _o =1750 mA I _o =2500 mA	92.5% 92.5%	94.5% 94.5%	- -			
EUM-320S500Lx I _o =2850 mA I _o =5000 mA	92.0% 90.5%	94.0% 92.5%	- -			
EUM-320S760Lx I _o =5350 mA I _o =7600 mA	91.0% 90.0%	93.0% 92.0%	- -			
Power Monitoring Accuracy	-1%	-	1%			Measured at 220Vac input and 100%load
Standby Power	-	-	0.5 W			Measured at 230Vac/50Hz; Dimming off
MTBF	-	231,000 Hours	-	Measured at 220Vac input, 80%load and 25°C ambient temperature (MIL-HDBK-217F)		
Lifetime	-	112,000 Hours	-	Measured at 220Vac input, 80%load and 70°C case temperature; See lifetime vs. T _c curve for the details		
Operating Case Temperature for Safety T _{c_s}	-40°C	-	+90°C			
Operating Case Temperature for Warranty T _{c_w}	-40°C	-	+75°C	Case temperature for 7 years warranty Humidity: 10% RH to 95% RH;		
Storage Temperature	-40°C	-	+85°C	Humidity: 5%RH to 95%RH		
Dimensions Inches (L × W × H) Millimeters (L × W × H)	8.82 × 3.15 × 1.75 224 × 80 × 44.5			With mounting ear 9.57 × 3.15 × 1.75 243 × 80 × 44.5		
Net Weight	-	1520 g	-			

Dimming Specifications

Parameter		Min.	Typ.	Max.	Notes
Absolute Maximum Voltage on the Vdim (+) Pin		-20 V	-	20 V	
Source Current on Vdim (+)Pin		200 uA	300 uA	450 uA	Vdim(+) = 0 V
Dimming Output Range	EUM-320S105Lx EUM-320S150Lx EUM-320S250Lx EUM-320S500Lx EUM-320S760Lx	10%loset	-	loset	700 mA ≤ loset ≤ 1050 mA 1050 mA ≤ loset ≤ 1500 mA 1750 mA ≤ loset ≤ 2500 mA 2850 mA ≤ loset ≤ 5000 mA 5350 mA ≤ loset ≤ 7600 mA
	EUM-320S105Lx EUM-320S150Lx EUM-320S250Lx EUM-320S500Lx EUM-320S760Lx	70 mA 105 mA 175 mA 285 mA 535 mA	-	loset	70 mA ≤ loset < 700 mA 105 mA ≤ loset < 1050 mA 175 mA ≤ loset < 1750 mA 285 mA ≤ loset < 2850 mA 535 mA ≤ loset < 5350 mA
Recommended Dimming Input Range		0 V	-	10 V	
Dim off Voltage		0.35 V	0.5 V	0.65 V	Default 0-10V dimming mode.
Dim on Voltage		0.55 V	0.7 V	0.85 V	
Hysteresis		-	0.2 V	-	
PWM_in High Level		3 V	-	10 V	Dimming mode set to PWM in PC interface.
PWM_in Low Level		-0.3 V	-	0.6 V	
PWM_in Frequency Range		200 Hz	-	3 KHz	
PWM_in Duty Cycle		1%	-	99%	
PWM Dimming off (Positive Logic)		3%	5%	8%	
PWM Dimming on (Positive Logic)		5%	7%	10%	
PWM Dimming off (Negative Logic)		92%	95%	97%	
PWM Dimming on (Negative Logic)		90%	93%	95%	
Hysteresis		-	2%	-	

Safety & EMC Compliance

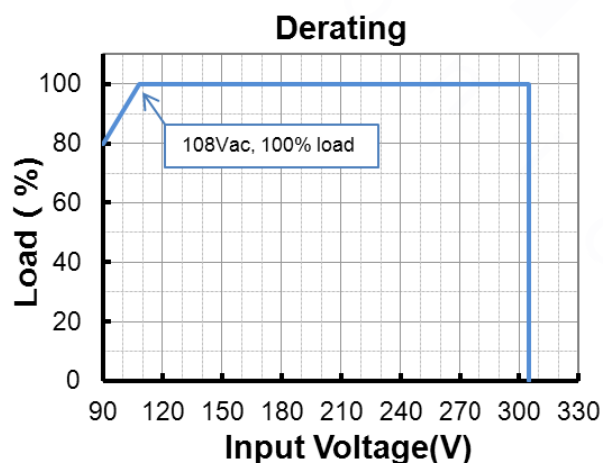
Safety Category	Standard
UL/CUL	UL8750, CAN/CSA-C22.2 No. 250.13
ENEC & CE	EN 61347-1, EN 61347-2-13
CB	IEC 61347-1, IEC 61347-2-13
CCC	GB 19510.1, GB 19510.14
PSE	J 61347-1, J 61347-2-13
BIS	IS 15885(Part2/Sec13)

Safety & EMC Compliance (Continued)

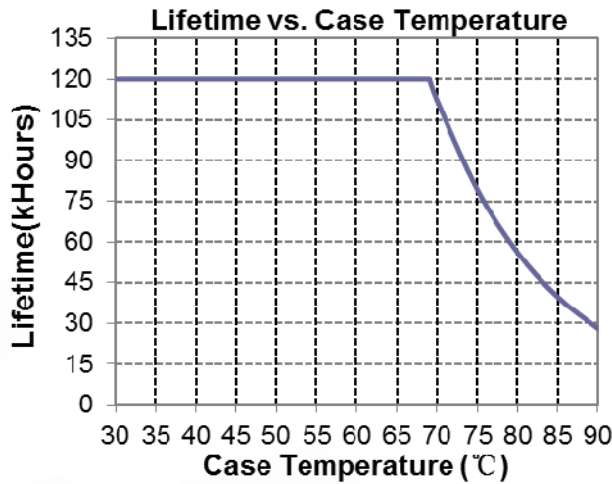
Safety Category	Standard
KC	K 61347-1, K 61347-2-13
EMI Standards	Notes
EN 55015/GB 17743 ⁽¹⁾	Conducted emission Test & Radiated emission Test
EN 61000-3-2/GB 17625.1	Harmonic current emissions
EN 61000-3-3	Voltage fluctuations & flicker
FCC Part 15 ⁽¹⁾	ANSI C63.4 Class B
	This device complies with Part 15 of the FCC Rules. Operation is subject to the following two conditions: [1] this device may not cause harmful interference, and [2] this device must accept any interference received, including interference that may cause undesired operation.
EMS Standards	Notes
EN 61000-4-2	Electrostatic Discharge (ESD): 8 kV air discharge, 4 kV contact discharge
EN 61000-4-3	Radio-Frequency Electromagnetic Field Susceptibility Test-RS
EN 61000-4-4	Electrical Fast Transient / Burst-EFT
EN 61000-4-5	Surge Immunity Test: AC Power Line: Differential Mode 6 kV, Common Mode 10 kV
EN 61000-4-6	Conducted Radio Frequency Disturbances Test-CS
EN 61000-4-8	Power Frequency Magnetic Field Test
EN 61000-4-11	Voltage Dips
EN 61547	Electromagnetic Immunity Requirements Applies To Lighting Equipment

Note: (1) This LED driver meets the EMI specifications above, but EMI performance of a luminaire that contains it depends also on the other devices connected to the driver and on the fixture itself.

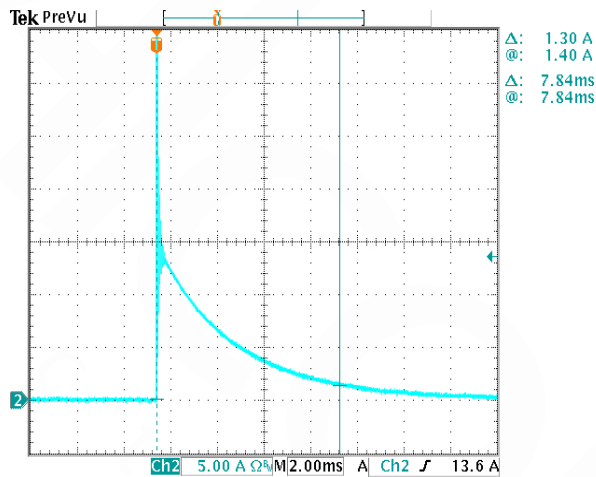
Derating



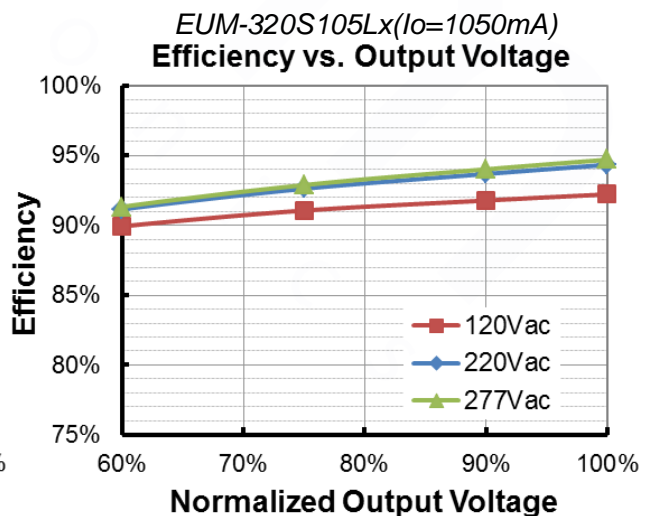
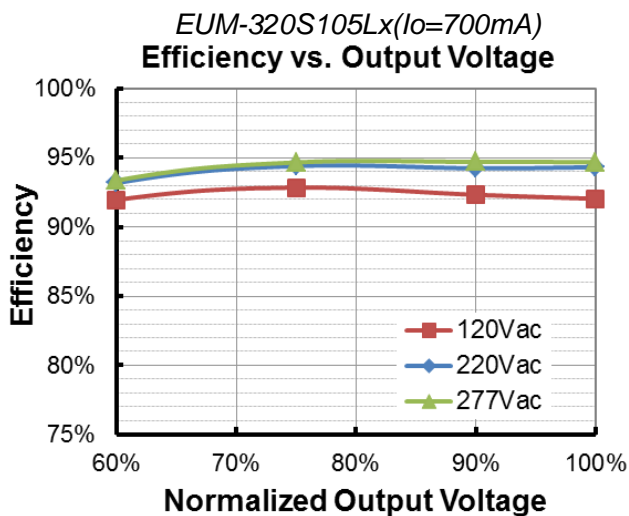
Lifetime vs. Case Temperature

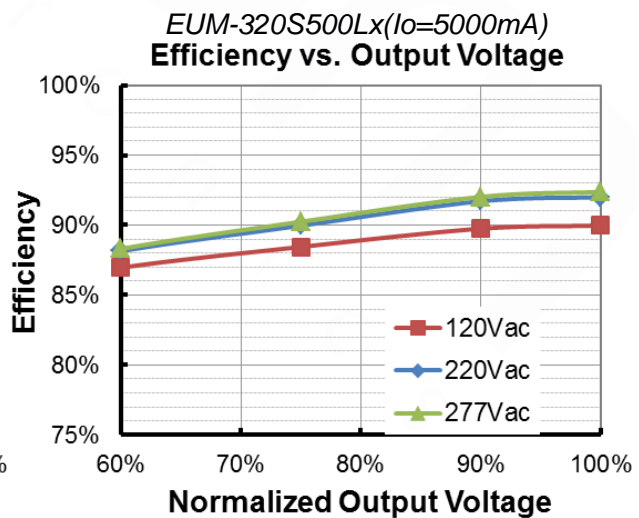
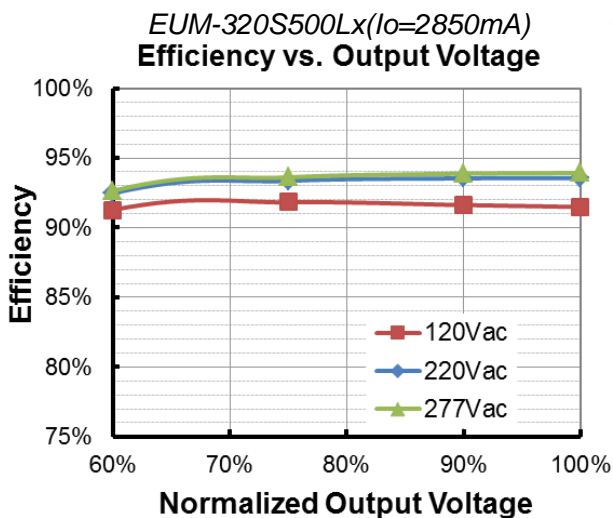
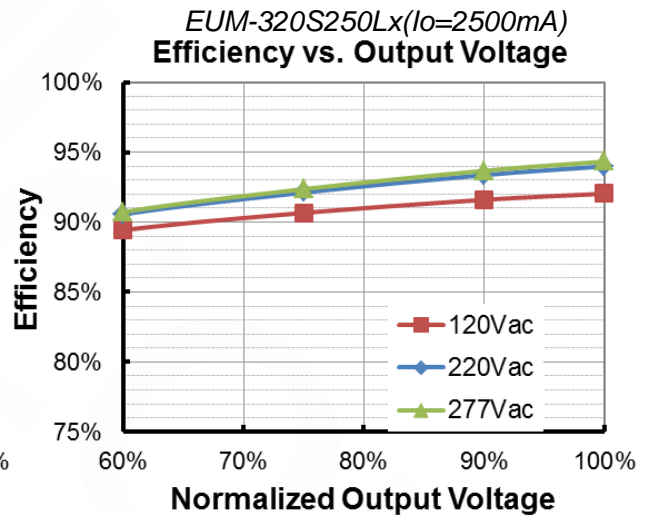
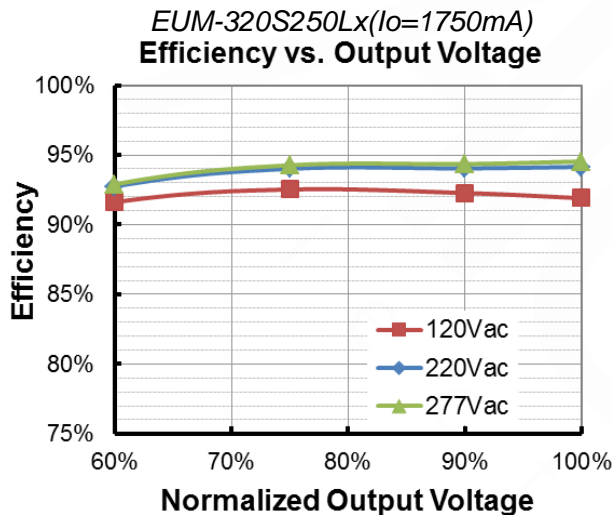
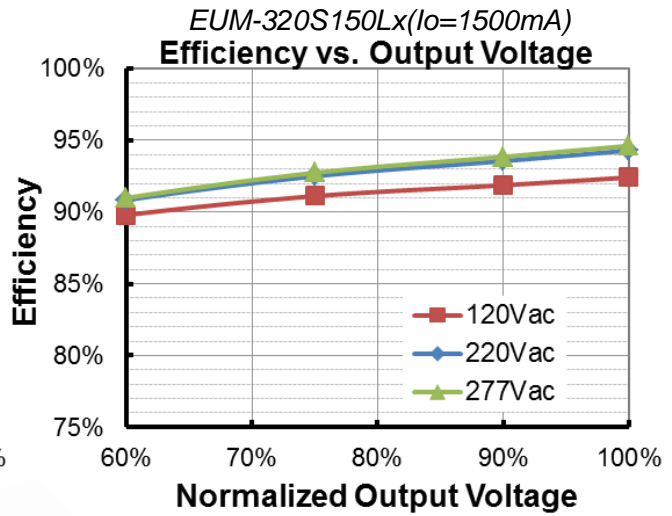
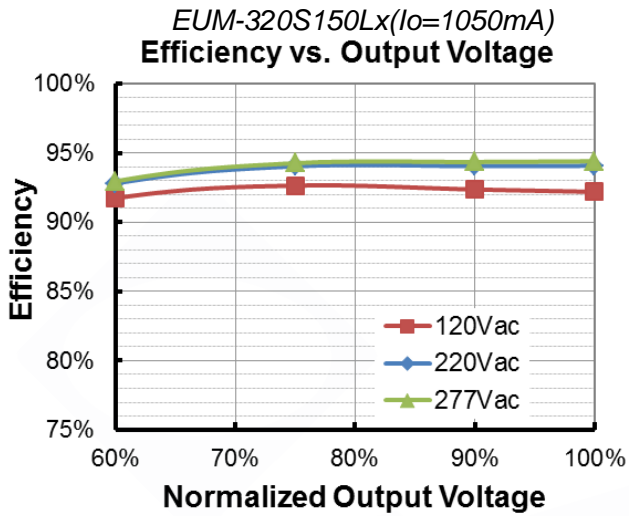


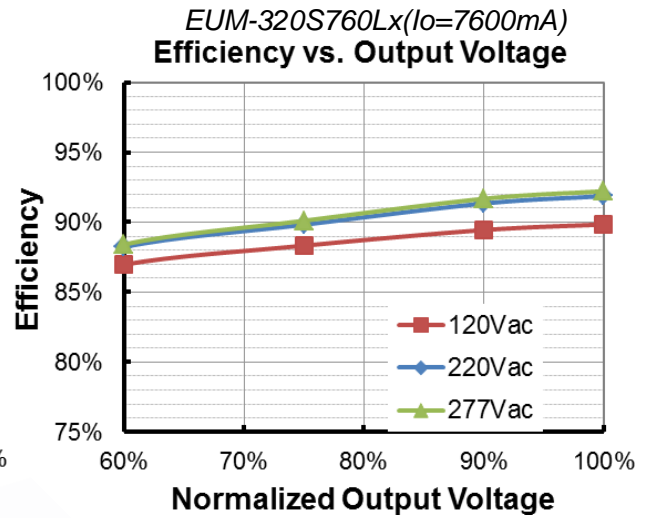
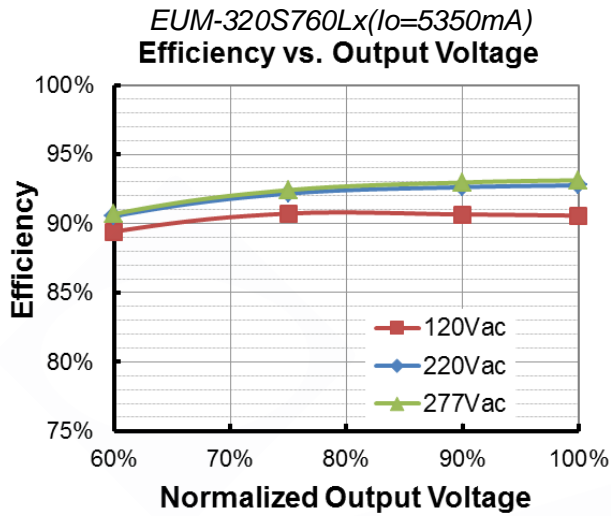
Inrush Current Waveform



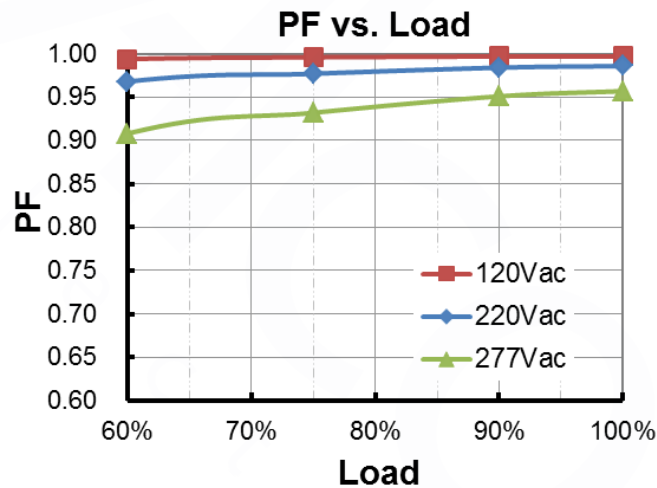
Efficiency vs. Load



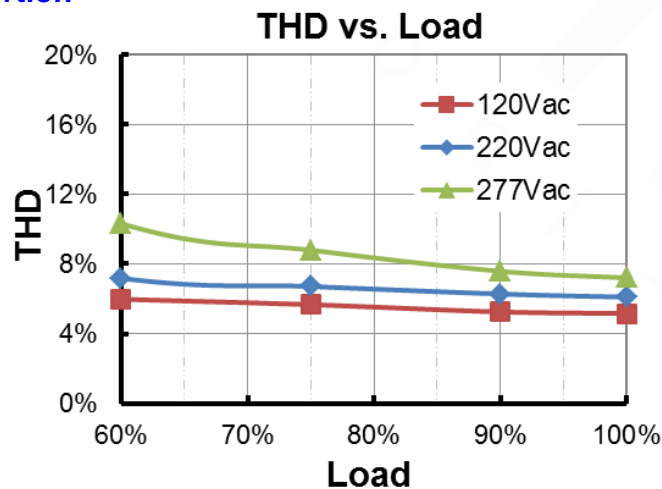




Power Factor



Total Harmonic Distortion

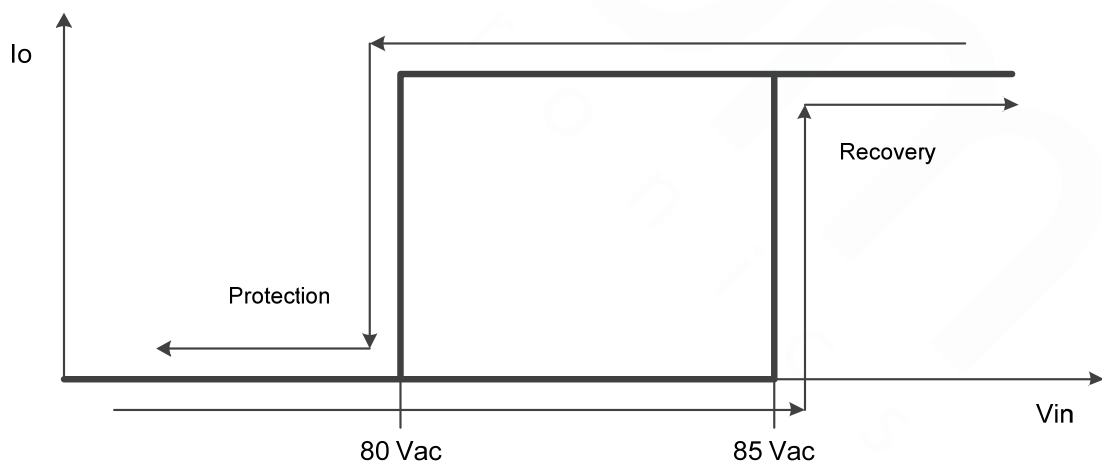


Protection Functions

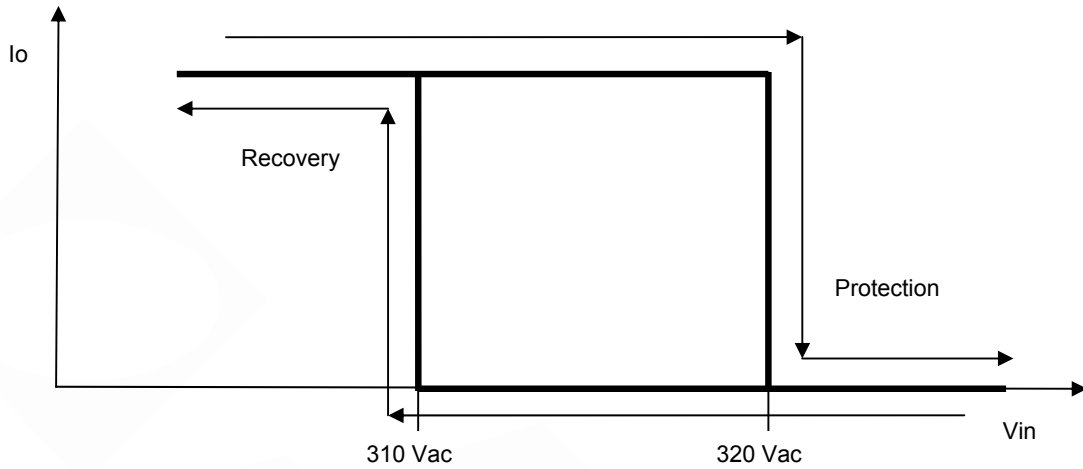
Parameter		Min.	Typ.	Max.	Notes
External Thermal Protection	R1 (Start derating)	-	1.67 kΩ	-	The output current starts to decrease linearly when the actual NTC resistance value is lower than R1, until R2 is reached.
	R2 (Stop derating)	-	1.27 kΩ	-	When the actual NTC resistance value is lower than R2, the output current will stay at the programmed Protection Current Floor.
	Protection Current Floor	10%loset	20%loset	100%loset	10%loset > I _{omin} (default setting is 20%)
I _{omin}		20%loset	100%loset	10%loset ≤ I _{omin} (default setting is 20%)	
Over Voltage Protection		Limits output voltage at no load and in case the normal voltage limit fails.			
Short Circuit Protection		Auto Recovery. No damage will occur when any output is short circuited. The output shall return to normal when the fault condition is removed.			
Over Temperature Protection		Decreases output current, returning to normal after over temperature is removed.			
Input Under Voltage Protection (IUVP)	Input Under Voltage Protection	70 Vac	80 Vac	90 Vac	Turn off the output when the input voltage falls below protection voltage.
	Input Under Voltage Recovery	75 Vac	85 Vac	95 Vac	Auto Recovery. The driver will restart when the input voltage exceeds recovery voltage.
Input Over Voltage Protection (IOVP)	Input Over Voltage Protection	310 Vac	320 Vac	330 Vac	Turn off the output when the input voltage exceeds protection voltage.
	Input Over Voltage Recovery	300 Vac	310 Vac	320 Vac	Auto Recovery. The driver will restart when the input voltage falls below recovery voltage.
	Max. of Input Over Voltage	-	-	350 Vac	The driver can survive stabilized input over voltage conditions up to 350Vac for a total of 8 hours.

Note: (1) The recommended NTC type is 10kΩ NTC, Murata NCP18XH103J03RB.

● Input Under Voltage Protection Diagram



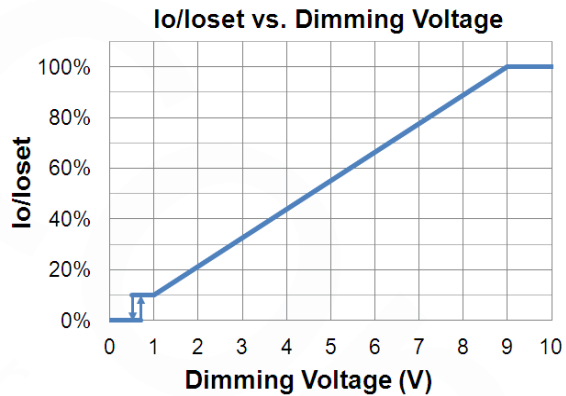
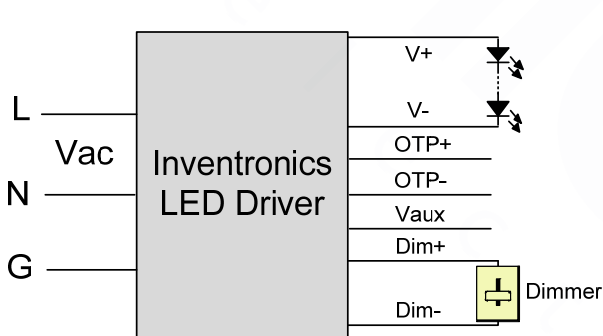
● **Input Over Voltage Protection Diagram**



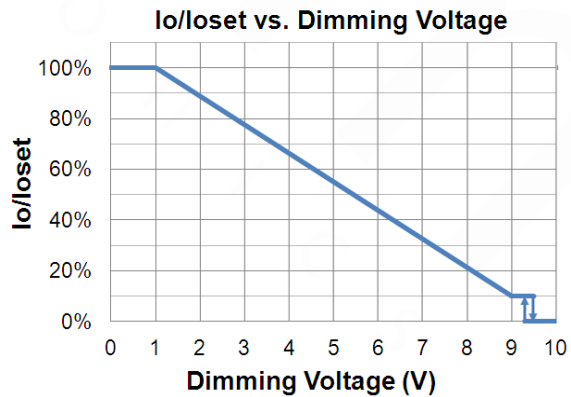
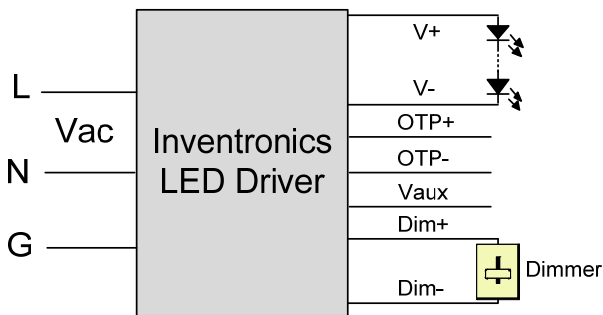
Dimming

● **0-10V Dimming**

The recommended implementation of the dimming control is provided below.



Implementation 1: Positive logic



Implementation 2: Negative logic

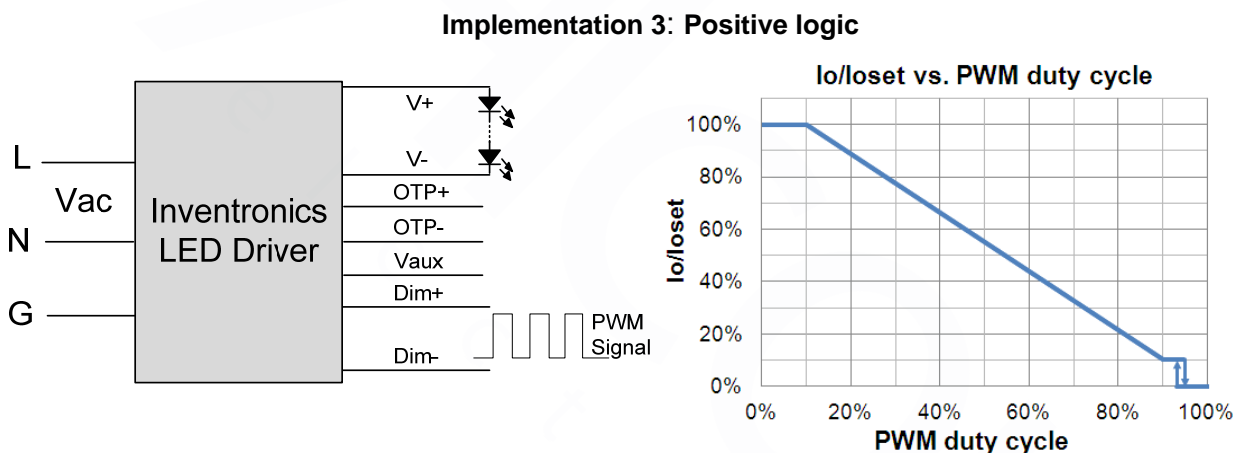
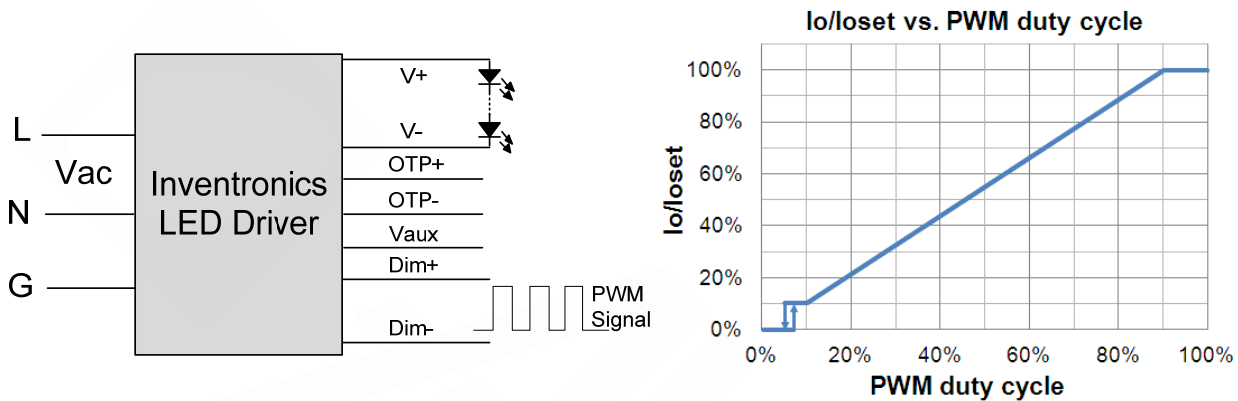
Notes:

1. Do NOT connect Dim- to the output V- or V+, otherwise the driver will not work properly.

- The dimmer can also be replaced by an active 0-10V voltage source signal or passive components like zener.
- When 0-10V negative logic dimming mode and Dim+ is open, the driver will dim to off and be standby.

● PWM Dimming

The recommended implementation of the dimming control is provided below.



Note:

- Do NOT connect Dim- to the output V- or V+, otherwise the driver will not work properly.
- When PWM negative logic dimming mode and Dim+ is open, the driver will dim to off and be standby.

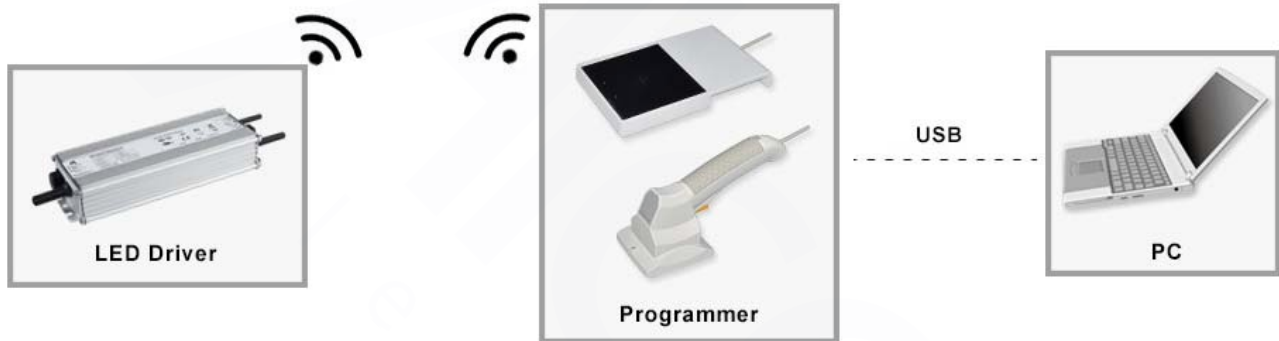
● Time Dimming

Time dimming control includes 3 kinds of modes, they are Self Adapting-Midnight, Self Adapting-Percentage and Traditional Timer.

- Self Adapting-Midnight:** Automatically adjusts the dimming curve based on the on-time of past two days (if difference <15 minutes), assuming that the center point of the dimming curve is midnight local time.
- Self Adapting-Percentage:** Automatically adjusts the on-time of each step by a constant percentage = (actual on-time for the past 2 days if difference <15 min) / (programmed on-time from the dimming curve).
- Traditional Timer:** Follows the programmed timing curve after power on with no changes.

- **Output Lumen Compensation**
Output Lumen Compensation (OLC) may be used to maintain constant light output over the life of the LEDs by driving them at a reduced current when new, then gradually increasing the drive current over time to counteract LED lumen degradation.
- **End Of Life**
End-of-Life (EOL) is providing a visual notification to a user that the LED module has reached the end of manufacturer-specified life and that the replacement is recommended. Once active, an indication is given at each power-up of the driver, which the driver indicates this through a lower light output during the first 1 minute before normal operation is continued.
- **Digital Dimming**
Inventronics Digital Dimming is a UART (Universal Asynchronous Receive Transmitter) based communication protocol and is compliant with T/CSA-051 standard. Please refer to [Inventronics Digital Dimming](#) file for details.

Programming Connection Diagram

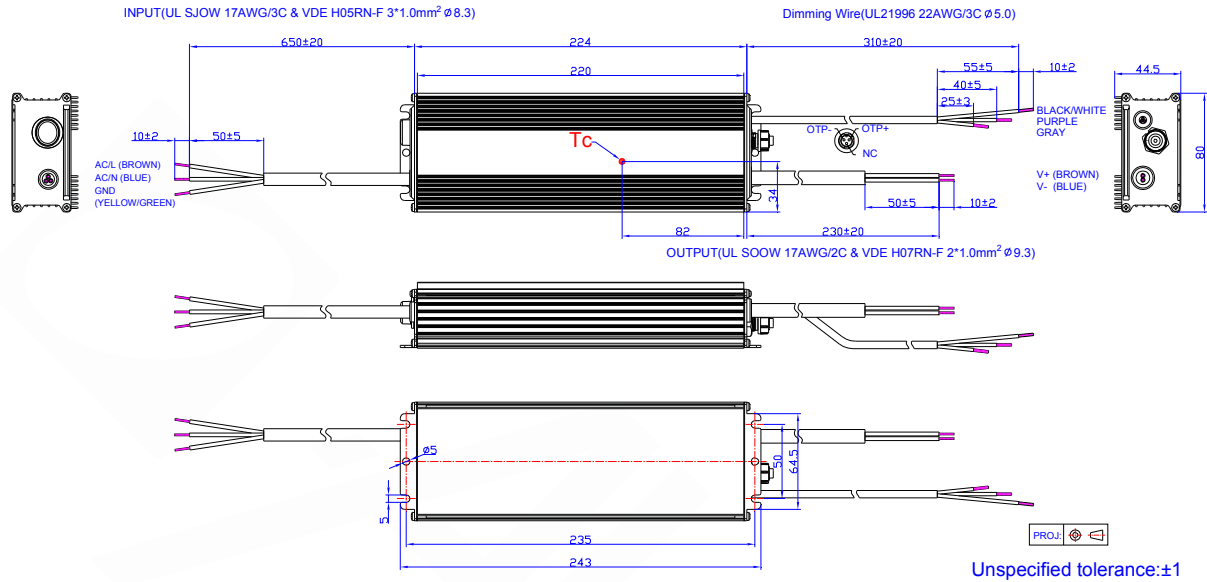


Note: The driver does not need to be powered on during the programming process.

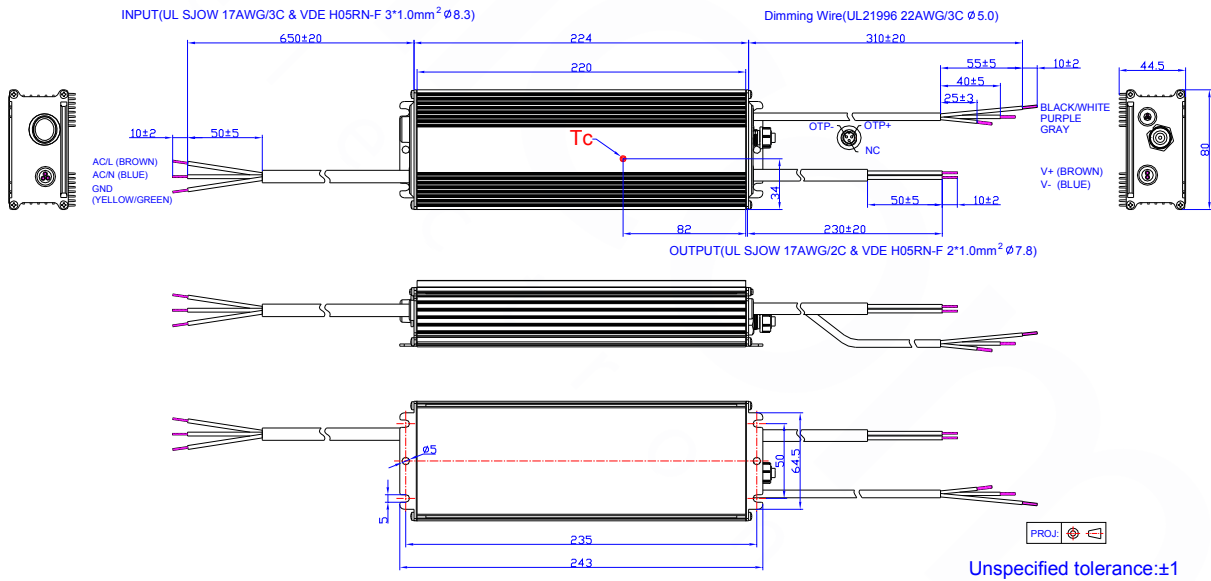
- Please refer to [PRG-NFC-H](#) or [PRG-NFC-D](#) (Programmer) datasheet for details.

Mechanical Outline

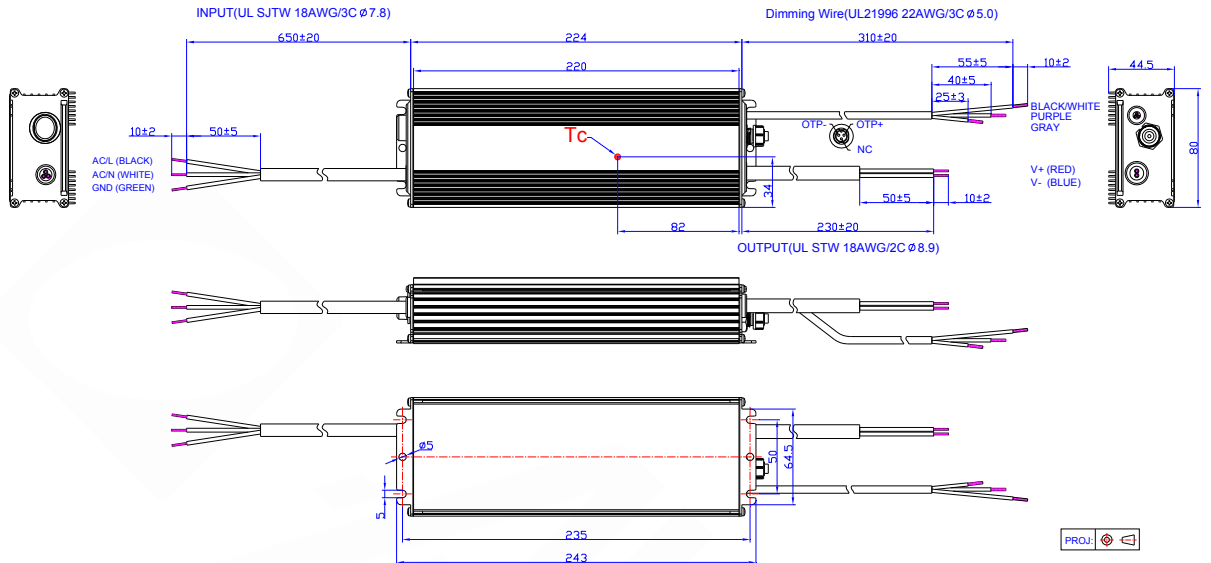
EUM-320S105LG/EUM-320S150LG



EUM-320S250LG/EUM-320S500LG/EUM-320S760LG

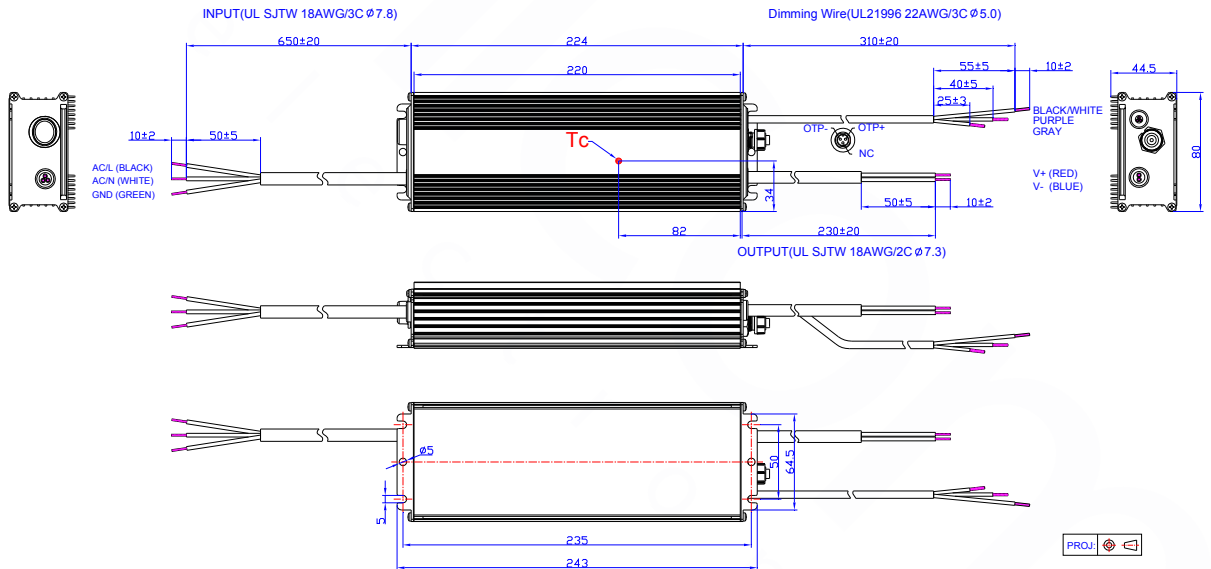


EUM-320S105LT/EUM-320S150LT



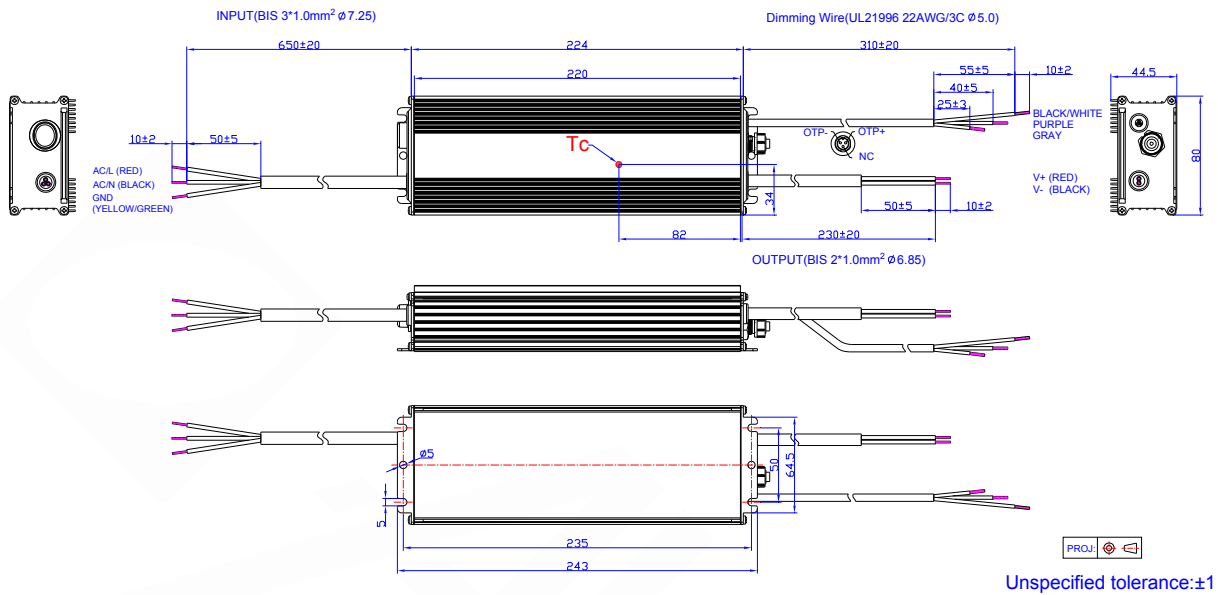
Unspecified tolerance: ± 1

EUM-320S250LT/EUM-320S500LT/EUM-320S760LT



Unspecified tolerance: ± 1

EUM-320SxxxLB



RoHS Compliance

Our products comply with reference to RoHS Directive (EU) 2015/863 amending 2011/65/EU, calling for the elimination of lead and other hazardous substances from electronic products.

Revision History

Change Date	Rev.	Description of Change		
		Item	From	To
2021-03-12	A	Datasheet Release	/	/
2021-03-19	B	KS	/	Deleted
		Features	Low Inrush Current	Added
		No Load Output Voltage	/	Updated