

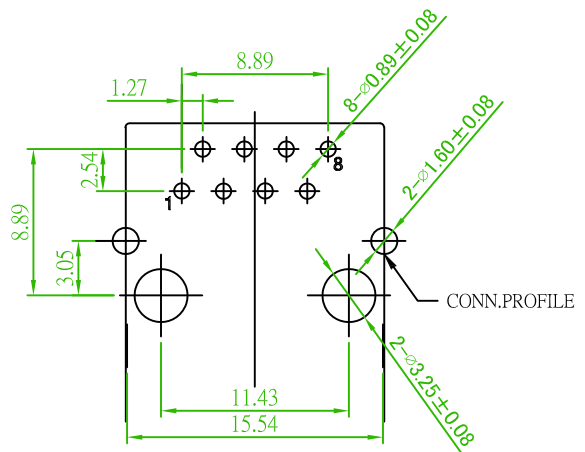
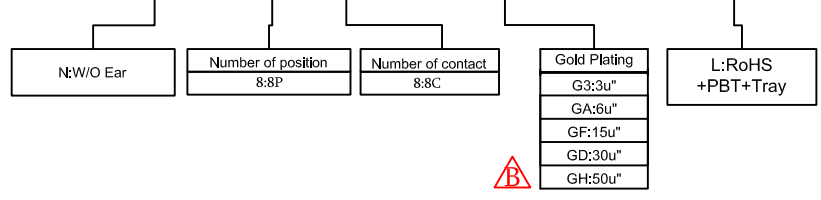
V. 05/21

MATERIAL & FINISH

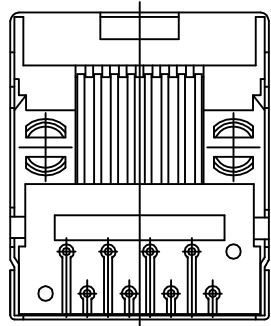
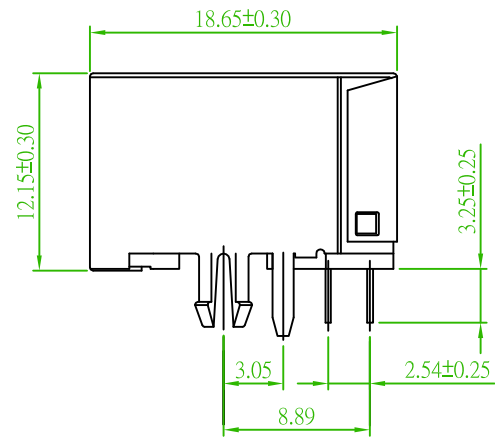
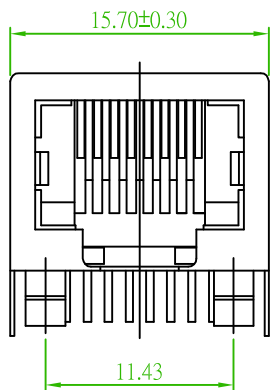
Housing: PBT. UL94V-0, black
 Conductor: 0.45 mm diameter phosphor bronze,
 Gold plated over nickel.
 Shield: bronze plated nickel.

ORDER INFORMATION

5 R J 1 D R 1 0 R 2 N - 8 8 X X 0 0 L - 9 5 1 - A 1



Recommended PCB Layout
 (PCB TOLERANCE ±0.05)



Old Part No.:S951-L



Singel 3 | B-2550 Kontich | Belgium | Tel. +32 (0)3 458 30 33 | info@alcom.be | www.alcom.be
 Rivium 1e straat 52 | 2909 LE Capelle aan den IJssel | The Netherlands | Tel. +31 (0)10 288 25 00 | info@alcom.nl | www.alcom.nl

糧德精密有限公司
 Amtek Technology Co., Ltd.
 TEL: 886-2-2260-6878
 FAX: 886-2-2260-8030

品名 TITLE	MODULAR JACK SHIELDED SIDE ENTRY H=12.15 W=18.65				頁數 Page	1/1
品號 PART NO.	5RJ1DR10R2N-88XX00L-951-A1				繪圖 DRAWN	Jeff 2015/09/16
圖號 DRAWING NO.	GW005-MD527		版本 REV.	B	核對 CHECKED	John 2015/09/16
客戶品號 CUSTOMER P/N			比例 SCALE	None	承認 APPROVED	John 2015/09/16
公差 TOLERANCE	.X ±0.25	.XX ±0.20	單位 UNIT	mm	THIRD ANGLE PROJECTION	

	ECN NO.:180605,Revise the Plated:G5->GH	Mia	2018/10/01
REV.	ECN NO. OR DESCRIPTION	REVISED	DATE