

MPQ6532-AEC1

5V to 60V, Three-Phase Brushless DC Motor Pre-Driver

Key Features

- 5V to 60V V_{IN} Range
- Max 0.8A Source and 1A Sink Current
- Supports 100% Duty Cycle Operation
- Low-Power Sleep Mode ($I_{SLEEP} = 2.5\mu A$)
- Configurable Short-Circuit Protection (SCP), Over-Current Protection (OCP), Adjustable Dead-Time Control, Thermal Shutdown, and Under-Voltage Lockout (UVLO)

Applications

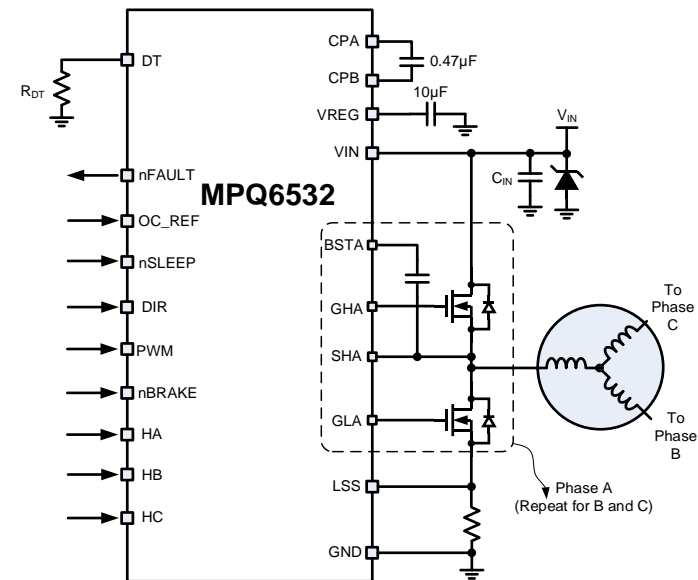
- Automotive Actuators
- 3-Phase Brushless DC (BLDC) Motors and Permanent Magnet Synchronous Motors (PMSMs)

Why Buy?

- Wider V_{IN} Range Suitable for 12V, 24V, and 48V Systems
- Lower Standby Power Consumption ($I_{SLEEP_MAX} = 2.5\mu A$) than Competitors ($I_{SLEEP_MAX} \geq 50\mu A$) Minimizes Battery Drain
- Smaller Size in a QFN-28 (4mmx5mm) Package than Competitors (TQFP 7mmx7mm) for Smaller PCB Sizes

Market

- Automotive Fans, Blowers, Fuel Pumps, and Water Pumps



Available in a QFN-28 (4mmx5mm) Package

