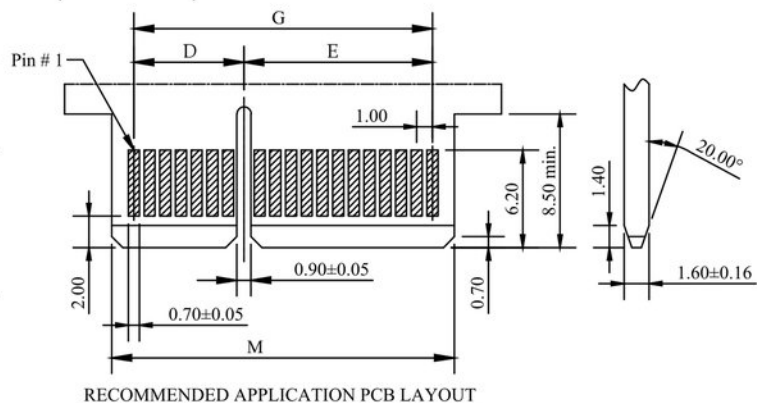
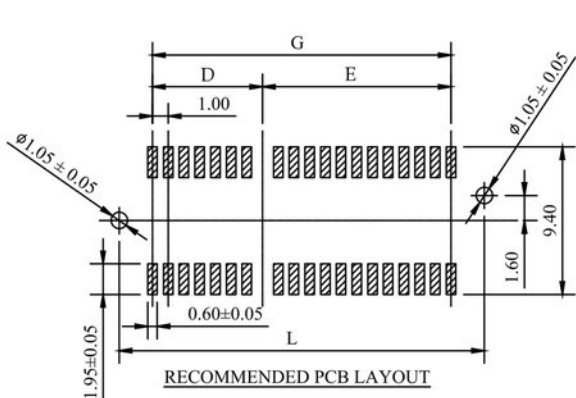
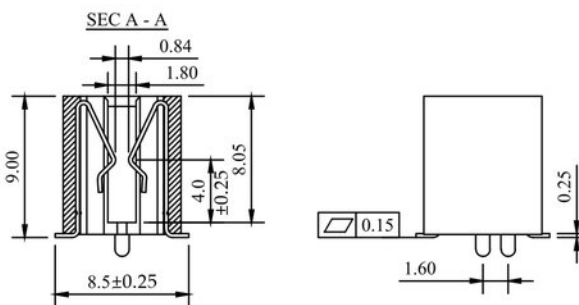
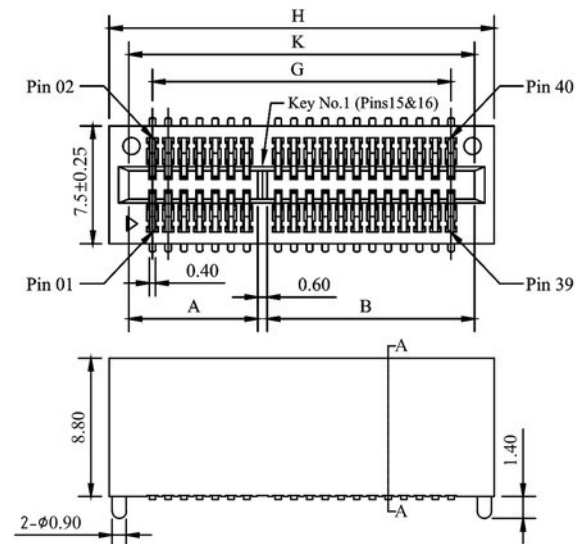
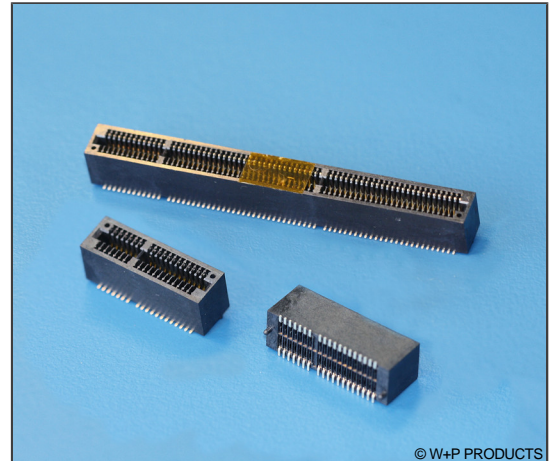


Technische Daten / Technical Data

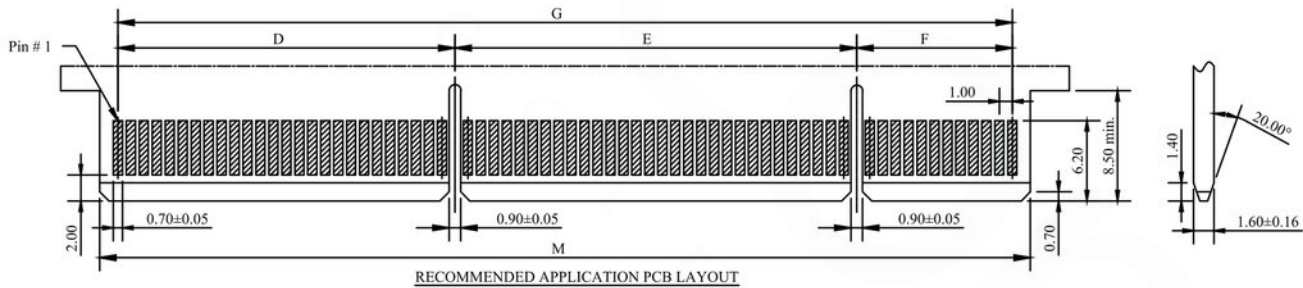
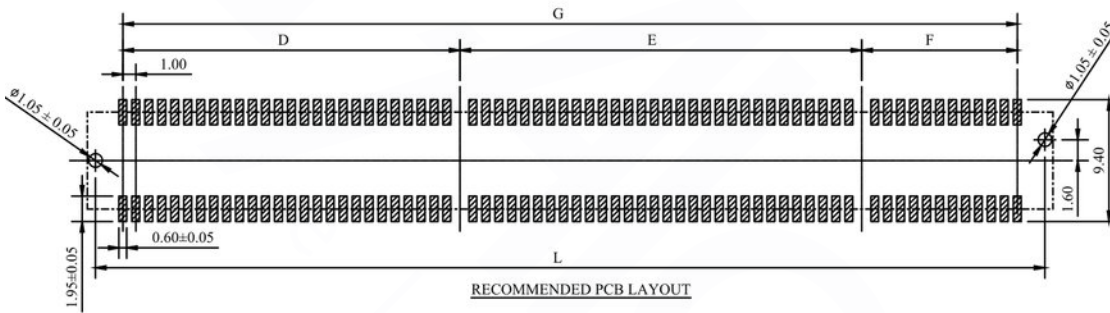
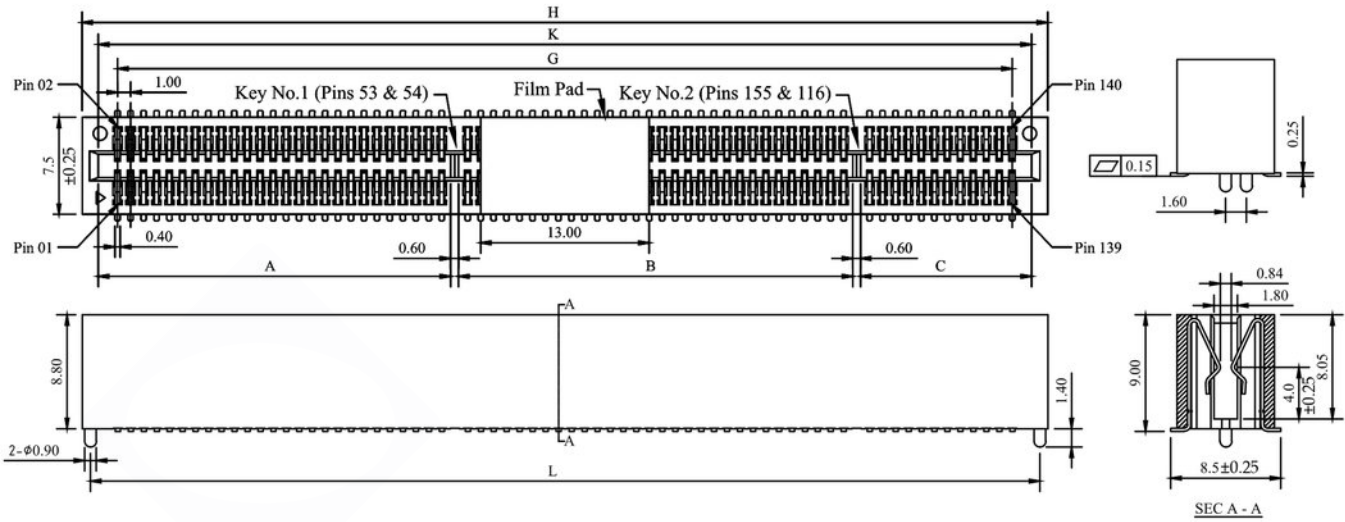
Isolierkörper <i>Insulator</i>	Thermoplast, UL94 V-0 <i>Thermoplastic, UL94 V-0</i>
Kontaktoberfläche <i>Contact Surface</i>	Au flash Plating im Kontaktbereich 100µ" min. Sn Matt-Plating im Lötbereich 50µ" min. Ni Underplating <i>Au flash plating over contact area 100µ" min. Sn matte plating on solder area 50µ" min. Ni underplating overall</i>
Durchgangswiderstand <i>Contact Resistance</i>	< 30 mΩ
Isolationswiderstand <i>Insulation Resistance</i>	> 1000 MΩ
Spannungsfestigkeit <i>Test Voltage</i>	500 V RMS
Nennstrom <i>Current Rating</i>	1,1 A
Temperaturbereich <i>Temperature Range</i>	-55 °C ... +105 °C
Verarbeitung <i>Processing</i>	260 °C für 10s max. 260 °C for 10s max.



No. of contacts	Key No.1 Pin no.	A	B	D	E	G	H	K	L	M
010	03-04	2.2	4.2	1.0	3.0	4.0	9.5	7.0	8.24	6.8
016	05-06	3.2	6.2	2.0	5.0	7.0	12.5	10.0	11.24	9.8
040	15-16	8.2	13.2	7.0	12.0	19.0	24.5	22.0	23.24	21.8
060	21-22	11.2	20.2	10.0	19.0	29.0	34.5	32.0	33.24	31.8
080	31-32	16.2	25.2	15.0	24.0	39.0	44.5	42.0	43.24	41.8
100	41-42	21.2	30.2	20.0	29.0	49.0	54.5	52.0	53.24	51.8

1282

SMT Card Edge Verbinder RM 1,00mm SMT Card Edge Connectors 1.00mm Pitch



No. of contacts	KeyNo.1 Pin no.	KeyNo.2 Pin no.	A	B	C	D	E	F	G	H	K	L	M
120	31-32	63-64	16.2	15.4	29.2	15.0	16.0	28.0	59.0	64.5	62.0	63.24	61.8
140	53-54	115-116	27.2	30.4	13.2	26.0	31.0	12.0	69.0	74.5	72.0	73.24	71.8

Series

1282

Contacts*

40

010 016 040 060 080 100 1 key
120 140 2 keys
Weitere Codierungen auf Anfrage
More key options on request

Plating

60

60 Sel. Au / Sn

Packing*

FTR

TR Tape & Reel
FTR Tape & Reel mit Folien-Pad
Tape & Reel with Film Pad